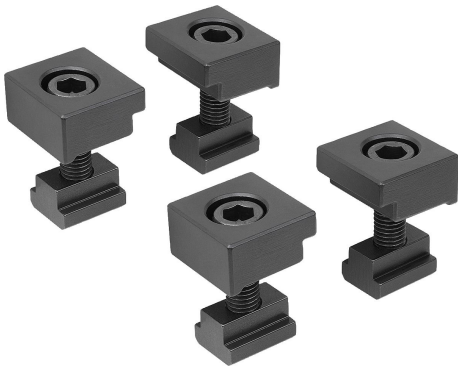


## Item description/product images



## Description

**Material:**

Carbon steel.

**Version:**

Tempered. Support faces ground (HRC 32).

**Note:**

Using these clamping claw sets, the clamping rails can be secured at any position on the machine table.

**Application:**

The clamping claw set is inserted into the T-slot on the machine table and slid along to the desired position on the clamping rail. Tightened using a cap screw.

**Advantages:**

The clamping claw set can also be used for other types of mounting in the multi-clamping system.

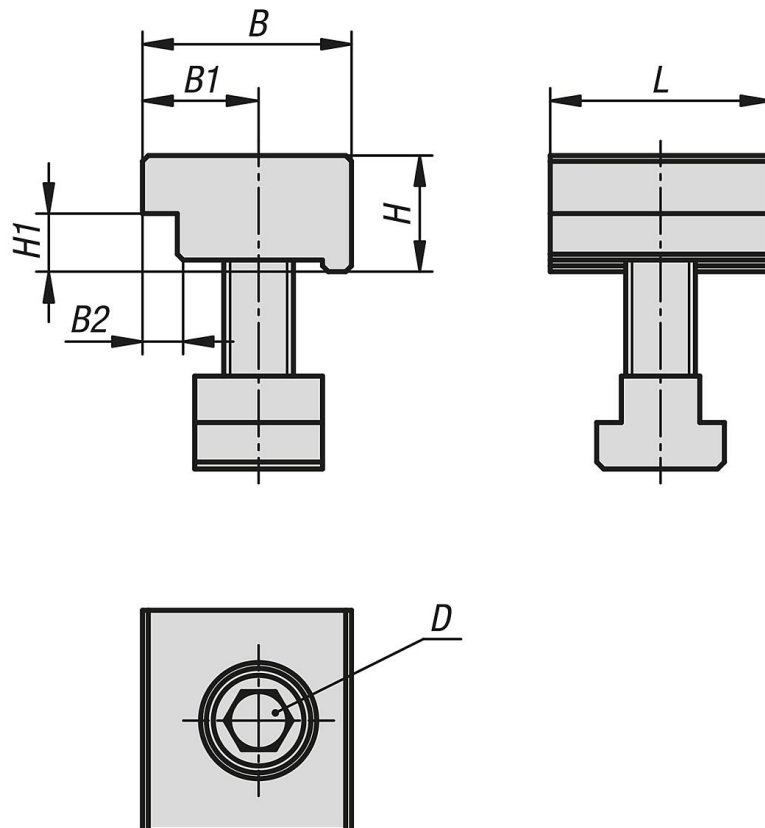
**Supplied with:**

4x claw clamps.

4x DIN 912 cap screws.

4x DIN 508 T-slot nuts.

## Drawings



## Overview of items

Order No.	suitable for system width	L	B	H	B1	B2	H1	D for screw DIN 912	Slot width
41505-15-05012	50	38	36	20	20	6	10	M12	14
41505-15-07216	72/100	40	50	28	27	8	14	M16	18