

Item description/product images

**Description****Material:**

Housing, actuator and nut die-cast zinc.
O-ring NBR, flat seal CR.

Version:

Housing trivalent passivated.
Actuator black powder-coated.
Nut electro zinc-plated.

Note:

Right or left mounting with 90° closing. The quarter-turn lock can be installed pre-assembled (limitations by a small A-dimension and thick doors). The fastening nut has claws allowing it to be used as an earthing nut.

Water and dust proof as per IP65 through the O-ring and flat seal.

The lockable quarter-turn locks are supplied with 2 keys. The key can be removed in both positions (open and closed). The cylinder locks have a single-key system, i.e. the same key works in all locks (lock type 101 or 1333).

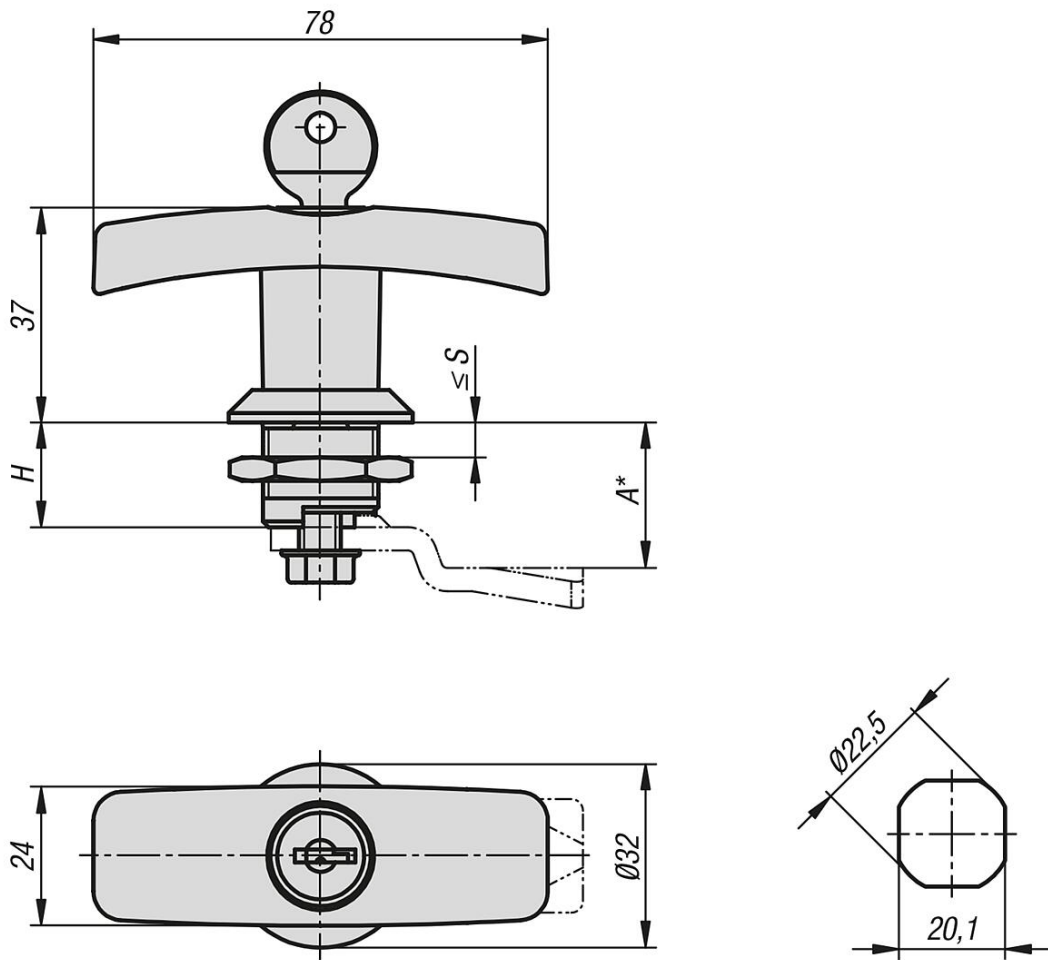
Order required tongue version separately. Every tongue can be combined with every housing.

*Dimension A results from the combination of the quarter turn lock and the tongue and is specified with the matching tongues.

Accessory:

Key 05586.
Tongue for steel quarter-turn lock 05569.

Drawings



Overview of items

| Order No. | Actuation | Version | H | S max. |
|------------|-----------------|-----------|----|--------|
| 05572-1182 | T-Grip | - | 18 | 8 |
| 05572-2182 | lockable T-grip | lock 101 | 18 | 8 |
| 05572-3182 | lockable T-grip | lock 1333 | 18 | 8 |