

Item description/product images



Description

Material:
Aluminium 6082 T5.

Version:
Aluminium, transparent anodised.

Note:
These hinges have integrated damping. This enables doors and hatches to be gently opened (Form A) and closed (Form B). In addition, the hinges are equipped with a lift-assist mechanism that facilitates opening doors and hatches. The hinges are suitable for horizontal and vertical applications. The direction of the damper is indicated by the arrow in the drawing. The opening angle is limited to 115° to avoid damaging the damping system.

A faster opening or closing of the doors or hatches must not be forced, as this can damage the damper.

Damping torque from 1.7 to 2.5 Nm.

The spring torque varies depending on the item.:

Opening spring torque for 27910-8215000: M(180°) : 2.7 Nm / M(65°) : 3.69 Nm.

Opening spring torque for 27910-8215001: M(180°) : 1.45 Nm / M(65°) : 2.29 Nm.

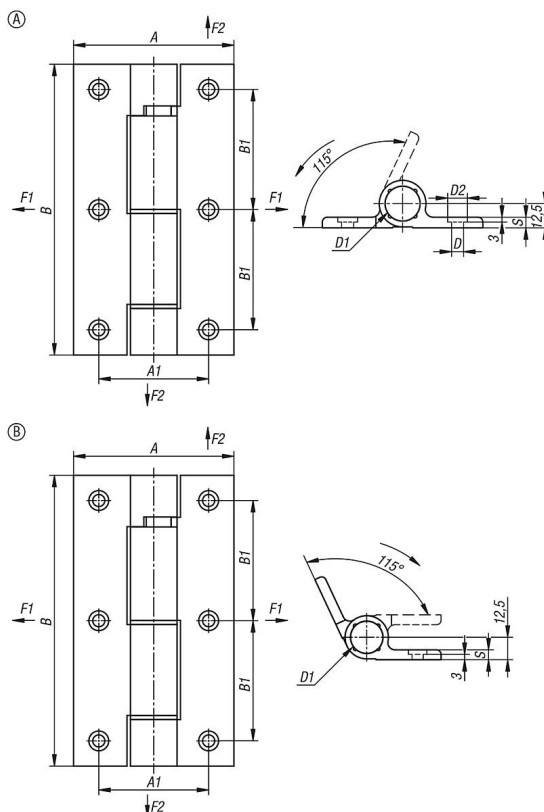
Closing spring torque for 27910-8215010: M(0°) : 2.68 Nm / M(115°) : 3.65 Nm.

Closing spring torque for 27910-8215011: M(0°) : 1.45 Nm / M(115°) : 2.28 Nm.

Temperature range:

from 0 °C to +40 °C.

Drawings



Overview of items

Order No.	Version 1	Version 2	Form	Form definition	A	A1	B	B1	D	D1	F1 N	F2 N	S
27910-8215000	spring open	horizontal use	A	soft opening	82,5	56,5	150	62	6,2	10,2	8000	16000	5,5
27910-8215001	spring open	vertical use	A	soft opening	82,5	56,5	150	62	6,2	10,2	8000	16000	5,5
27910-8215010	spring closed	horizontal use	B	soft closing	82,5	56,5	150	62	6,2	10,2	8000	16000	5,5
27910-8215011	spring closed	vertical use	B	soft closing	82,5	56,5	150	62	6,2	10,2	8000	16000	5,5