

Item description/product images



Description

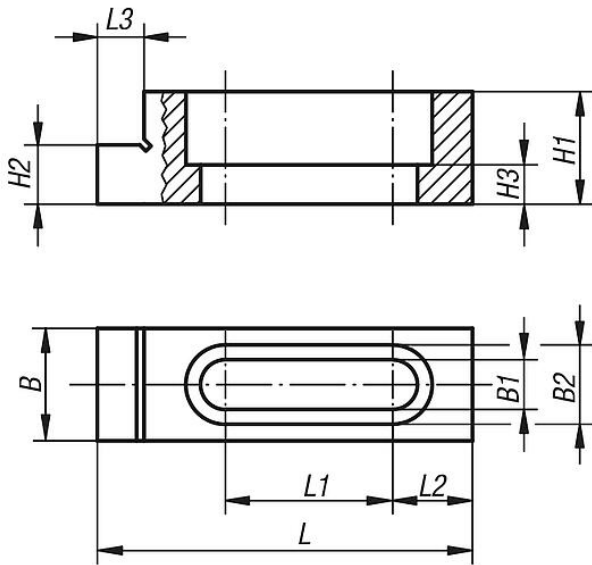
Material:
Steel.

Version:
Tempered, black oxidised.
Riser faces ground.

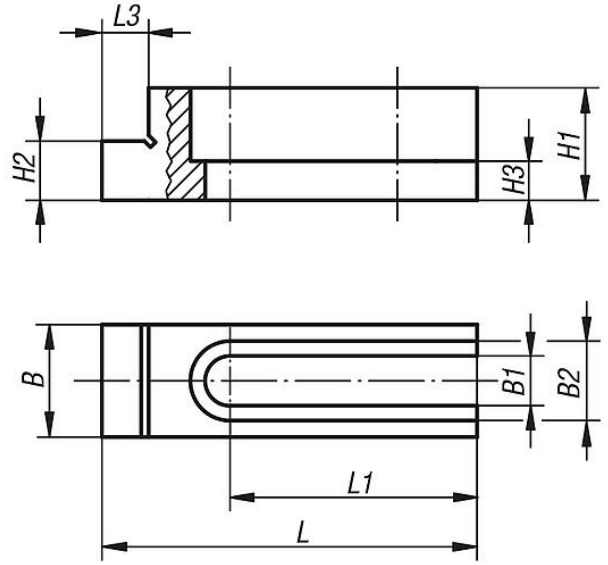
Note:
Also called multi-fixture clamps and stops.
Cost-effective custom made clamping fixtures can be produced using the adjustable riser cam clamps together with the matching riser stops.

Drawings

04445-08, 04445-12



04445-16



Overview of items

Order No.	for screws	L	L1	L2	L3	B	B1	B2	H1	H2	H3	Long hole
04445-08	M8	63,5	28,3	13,5	7,9	19	8,4	13,4	19	11,684 -0,013	6,6	closed
04445-12	M12	95,2	42,7	12,7	7,9	28,5	13,4	19,8	22	12,192 -0,013	6,9	closed
04445-16	M16	107	46,2	-	9,5	38	17	24,8	50,7	35,001 -0,013	21,3	open