

## Item description/product images



## Description

**Material:**

Knife edge washer.  
Cam screw carbon steel.

**Version:**

Cam screw tempered to 10.9 and black oxidised.  
Knife edge washer hardened and anodised.

**Note:**

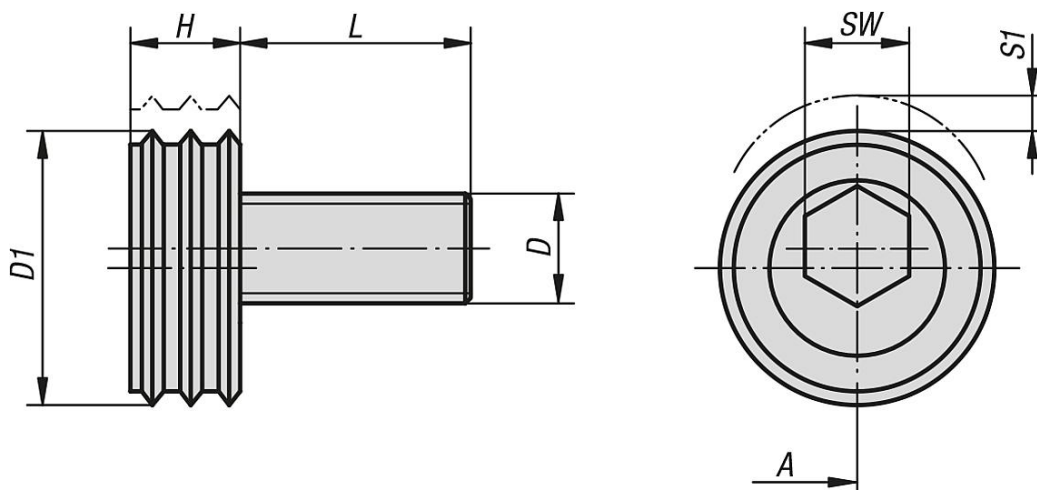
Also called knife edge clamps.  
The hardened knife edge washer is suitable for clamping rough cut stock, castings, forgings etc.

“A” = distance from workpiece to screw centre (cam screw).

**On request:**

Replacement cam screws.

## Drawings



## Overview of items

Order No.	A	D	D1	L	H	SW	S1 (travel)	Clamping force kN	Tightening torque max. Nm
04434-12	12,7	M12	25,4	22,5	9,6	8	2	18	88
04434-16	15	M16	30,1	26,8	12,7	12	2,5	27	135