

## Item description/product images



## Description

**Material:**

Carbon steel.

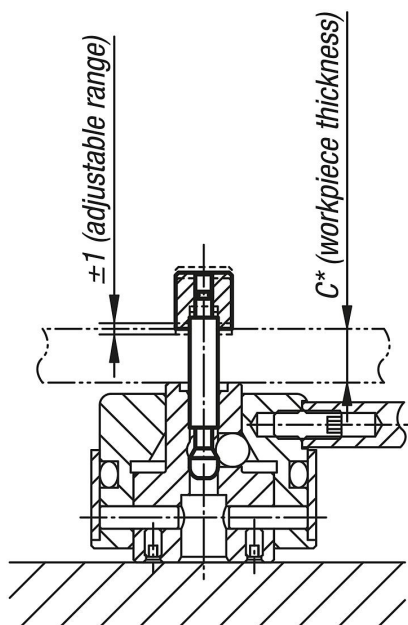
**Version:**

Pins tempered and ground.

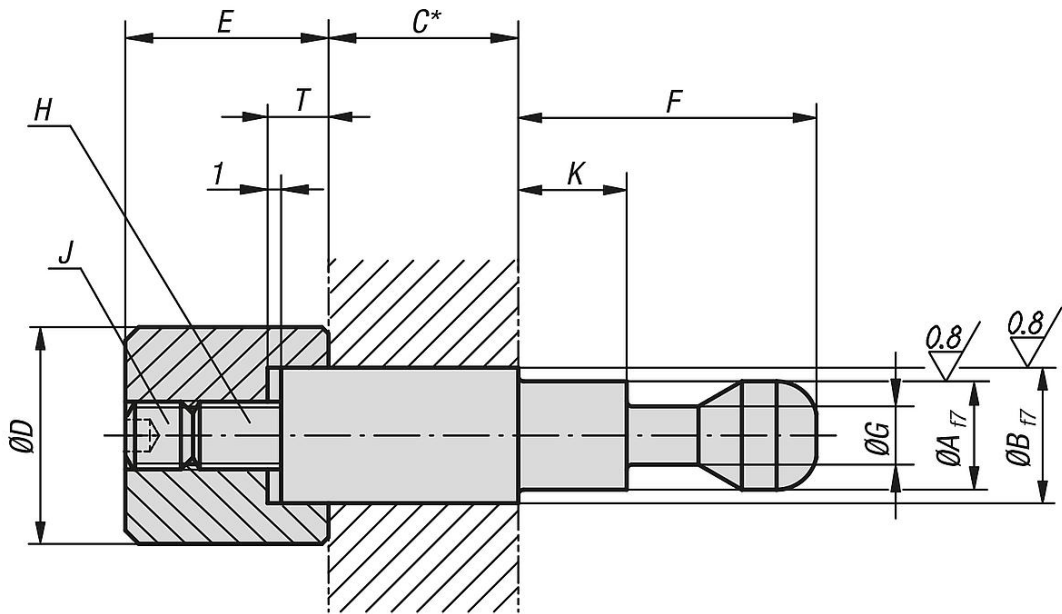
Knurled knob tempered, black oxidised.

**Note:**

\* The clamping pin can be altered to suit the workpiece thickness.



Drawings



Overview of items

Order No.	A	B	C	D	E	F	G	H	J	K	T	Suitable for
04400-412100	12	12	100	18	23	38	6,5	M8	M8x8	21,5	7	04400-506501
04400-416100	12	16	100	24	23	38	6,5	M8	M8x8	21,5	7	04400-506501
04400-516120	16	16	120	24	29	48	9,5	M10	M10x10	28	9	04400-638001
04400-520120	16	20	120	30	29	48	9,5	M10	M10x10	28	9	04400-638001