

Item description/product images



**Description**

**Material:**

Hook clamps and hook clamp holders carbon steel, tempered.

**Version:**

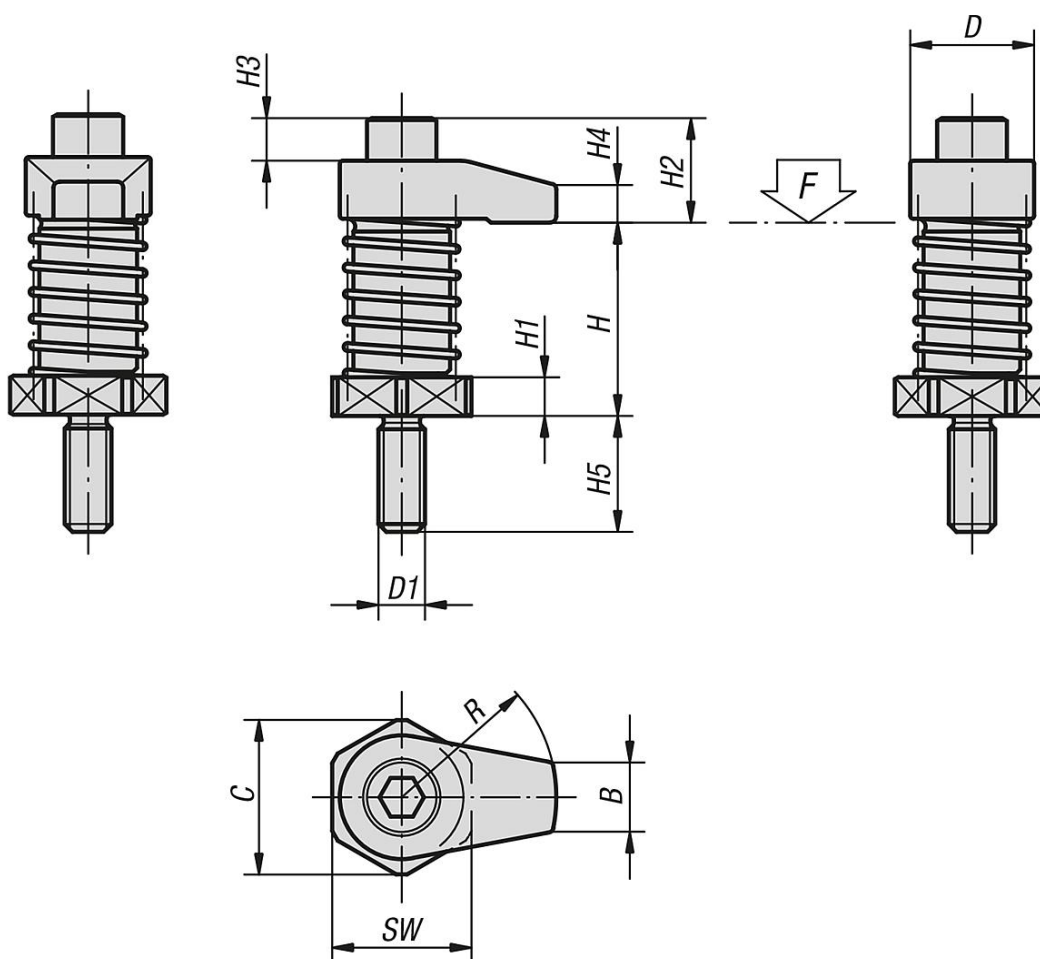
Black oxidised.

**Note:**

Hook clamps with collars can be screwed directly into grid holes etc. with or without counterbore.

For suitable height adjustment elements see risers 04378.

Drawings



Overview of items

Order No.	D	D1	H clamping range	H1	H2	H3	H4	H5	B	C	R	SW	Tightening torque max. Nm	F max. kN
04373-08020	22	M8	35-45	6	14	2	7	19	10	25	20	22	20	7,9
04373-08025	22	M8	35-45	6	14	2	7	19	10	25	25	22	20	7,3
04373-08030	22	M8	35-45	6	14	2	7	19	10	25	30	22	20	6,7
04373-08120	22	M8	45-55	16	14	2	7	19	10	25	20	22	20	7,9
04373-08125	22	M8	45-55	16	14	2	7	19	10	25	25	22	20	7,3
04373-08130	22	M8	45-55	16	14	2	7	19	10	25	30	22	20	6,7

## Overview of items

Order No.	D	D1	H clamping range	H1	H2	H3	H4	H5	B	C	R	SW	Tightening torque max. Nm	F max. kN
04373-12040	32	M12	50-65	10	27	11	10	30	18	40	40	36	45	13,5
04373-12050	32	M12	50-65	10	29	11	12	30	18	40	50	36	45	12,6
04373-12060	32	M12	50-65	10	29	11	12	30	18	40	60	36	45	11,7
04373-12140	32	M12	65-80	25	27	11	10	30	18	40	40	36	45	13,5
04373-12150	32	M12	65-80	25	29	11	12	30	18	40	50	36	45	12,6
04373-12160	32	M12	65-80	25	29	11	12	30	18	40	60	36	45	11,7
04373-16040	36	M16	50-65	10	36	15	15	30	22	40	40	36	60	13,4
04373-16050	36	M16	50-65	10	36	15	15	30	22	40	50	36	60	12,4
04373-16060	36	M16	50-65	10	36	15	15	30	22	40	60	36	60	12
04373-16140	36	M16	65-80	25	36	15	15	30	22	40	40	36	60	13,4
04373-16150	36	M16	65-80	25	36	15	15	30	22	40	50	36	60	12,4
04373-16160	36	M16	65-80	25	36	15	15	30	22	40	60	36	60	12