

Item description/product images



Description

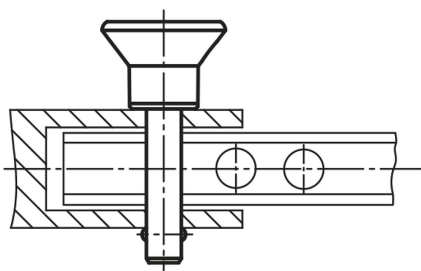
Material:
Grip thermoplastic.
Steel parts stainless steel.

Version:
Grip black.
Stainless steel bright.

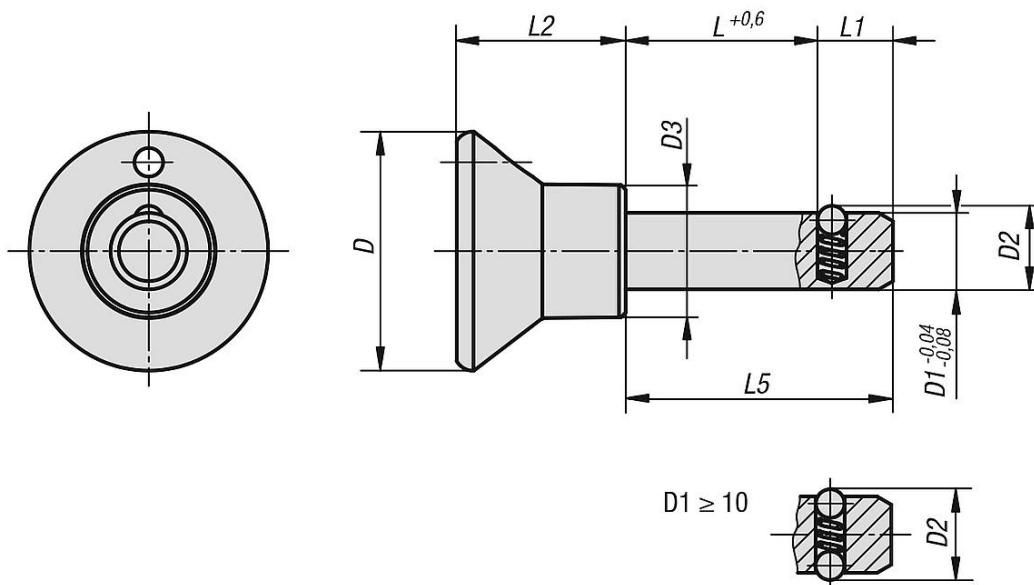
Note:
Locking pins are used for quick and easy fixating and joining of parts and workpieces.

Shearing force double-shear (F) = S · τ aB max.

Accessory:
Safety spiral cable 03199-10200
Restraining cable with eye 03199-....
Key ring 03199-15/19/23
Bushing for ball lock pins 03197....



Drawings



Overview of items

Order No.	D	D1	D2	D3	L	L1	L2	L5	Receiving hole H11	Shearing force double shear max.kN
03195-2506***	25	6	6,5	14	10/15/20/25/30/40/50	7	17,7	17/22/27/32/37/47/57	6	22
03195-2508***	25	8	8,75	14	15/20/25/30/40/50	8	17,7	23/28/33/38/48/58	8	38
03195-3310***	33	10	12	19	15/20/25/30/40/50	9	24	24/29/34/39/49/59	10	60
03195-3312***	33	12	14,5	19	20/30/40/50	10	24	30/40/50/60	12	86

Overview of items
