

Item description/product images



Description

Material:

Pin steel.
Key ring stainless steel.

Version:

Pins electro zinc-plated.
Key ring bright.

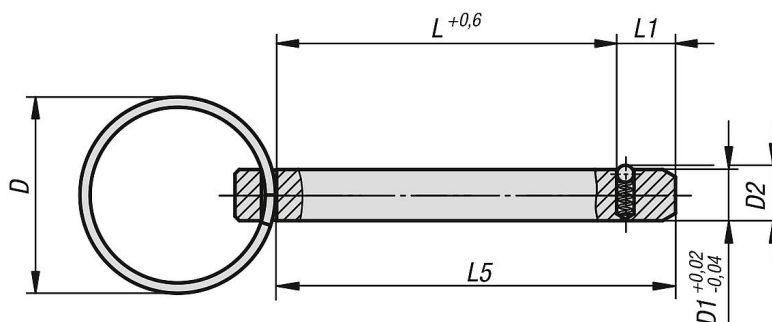
Note:

Locking pins are used for quick and easy fixating and joining of parts and workpieces.

Shearing force double shear (F) = S · τ aB max.

The locking pins with key ring represent a cost-effective alternative to other locking pins.

Drawings



Overview of items

Order No.	D	D1	D2	L	L1	L5	Shearing force double shear max.kN
03195-102306015	23	6	6,5	15	7	22	22
03195-102306020	23	6	6,5	20	7	27	22
03195-102306030	23	6	6,5	30	7	37	22
03195-102306040	23	6	6,5	40	7	47	22
03195-102808030	28	8	8,8	30	8	38	38
03195-102808040	28	8	8,8	40	8	48	38
03195-102808050	28	8	8,8	50	8	58	38