

Item description/product images



Description

Material:

Steel.

Version:

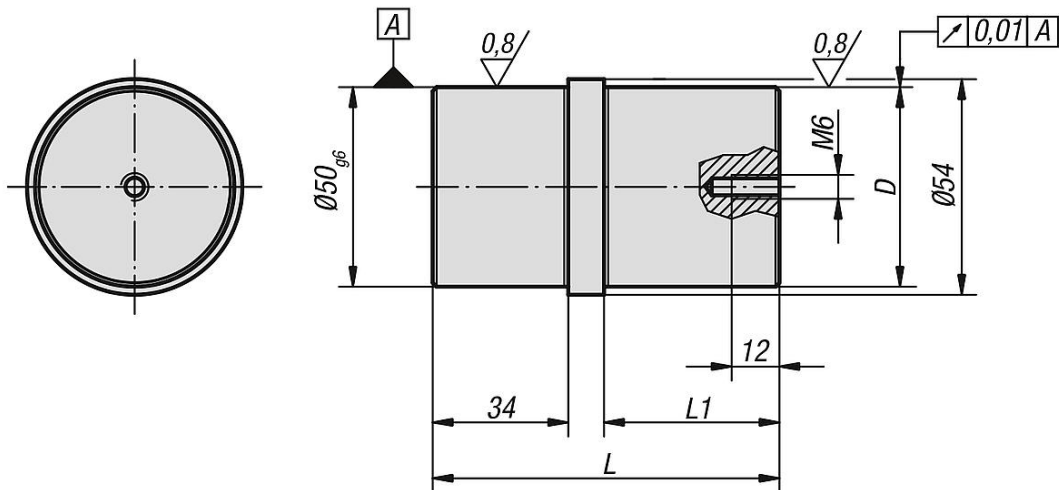
Case-hardened.

Toleranced diameter ground.

Note:

These centring pins are suitable for the central holes of our workholding elements 01148, 01263, 01265, 01267 and 01850.

Drawings



Overview of items

Order No.	D	L	L1
03110-5025	25 g6	77	34
03110-5030	30 h6	87	44
03110-5050	50 g6	87	44

