

## Item description/product images



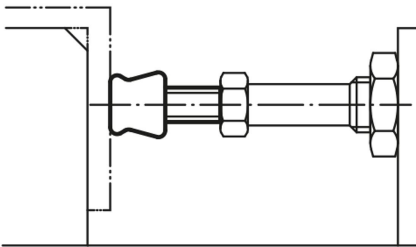
## Description

**Material:**

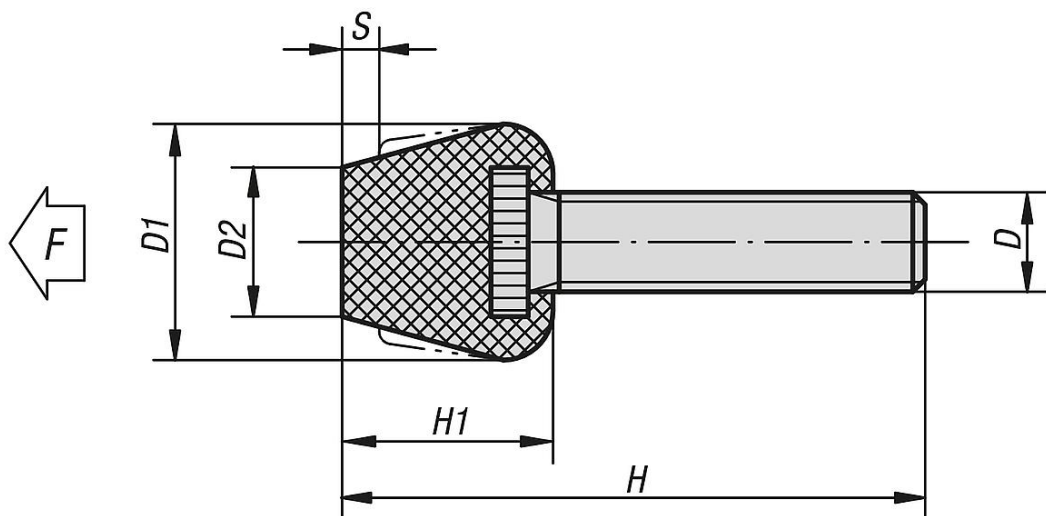
Screw steel.  
Thrust pad neoprene.

**Version:**

Neoprene pad moulded onto screw end.  
Screw copper-plated.



## Drawings



## Overview of items

Order No.	H	H1	D	D1	D2	S max.	F max. N
05260-08	63	17	M8 x 46	19	12	3	750
05260-081	43	17	M8 x 26	19	12	3	750
05260-10	80	19	M10 x 61	19	14	3,5	1000
05260-101	55	19	M10 x 36	19	14	3,5	1000