

## Item description/product images

**Description****Material:**

Screw and clamping plates steel.

Nut steel.

Spring class C spring wire.

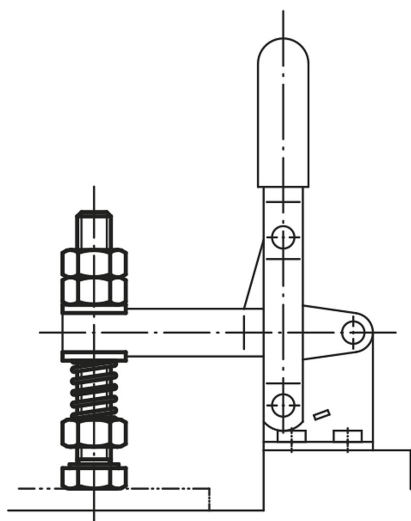
**Version:**

Screw and clamping plates electro zinc-plated.

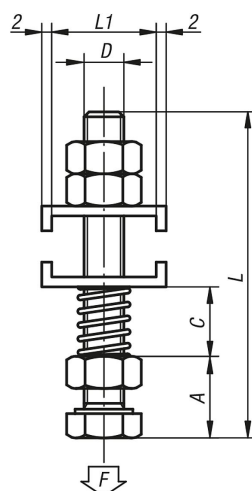
Nut black oxidised.

**Note:**

For use with 05020, 05040, 05060, 05120 and 05130.



## Drawings



## Overview of items

Order No.	L	L1	D	A	C min.	C max.	F max. N
05220-08	65,5	16	M8x60	12	9	30	25
05220-10	87,5	20,5	M10x80	15	14	35	35