

## Item description/product images



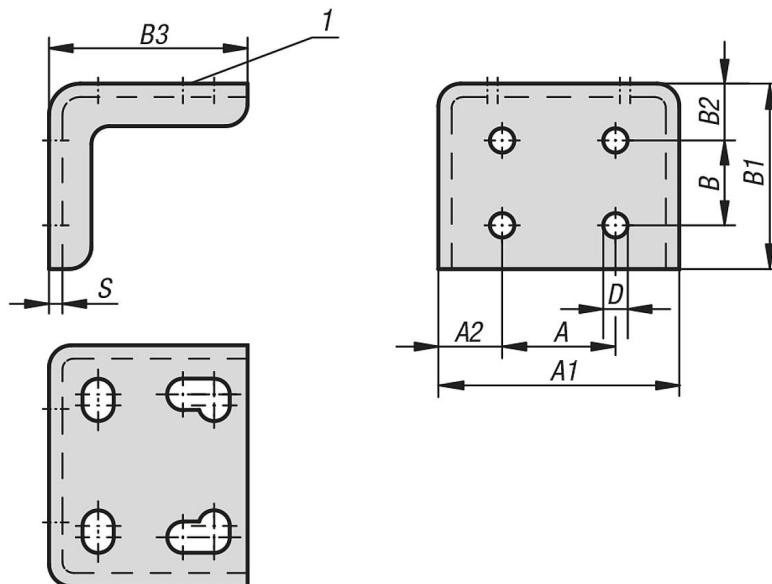
## Description

**Material:**  
Steel.

**Version:**  
Trivalent passivated.

**Drawing reference:**  
1) mount clamp on this face

## Drawings



## Overview of items

Order No.	A	A1	A2	B	B1	B2	B3	D	S
05880-02	18	43	12,5	15	36,5	13,5	29,5	5	2
05880-04	25,4	54	14,2	19	41,5	12,7	44,5	5,5	3
05880-06	44	76	16	32	62	21	66	8,6	4