

## Item description/product images



## Description

**Material:**

Steel.  
Stainless steel 1.4305.  
Stainless steel 1.4404.  
Aluminium.

**Version:**

Steel black oxidised, screw steel 12.9.  
Stainless steel 1.4305 bright, screw stainless steel A2-70.  
Stainless steel 1.4404 bright, screw stainless steel A2-70.  
Aluminium bright, screw stainless steel A2-70.

**Note:**

Two-piece shaft collars surround the shaft with an equal distribution of the clamping force. This leads to a very precise fit and high retaining force without damaging the shaft.

The shaft tolerance should lie within h11.

The two-part design enables simple and quick assembly without having to dismantle adjacent components.

The shaft collars made of A4 stainless steel have a small centre point mark on the OD.

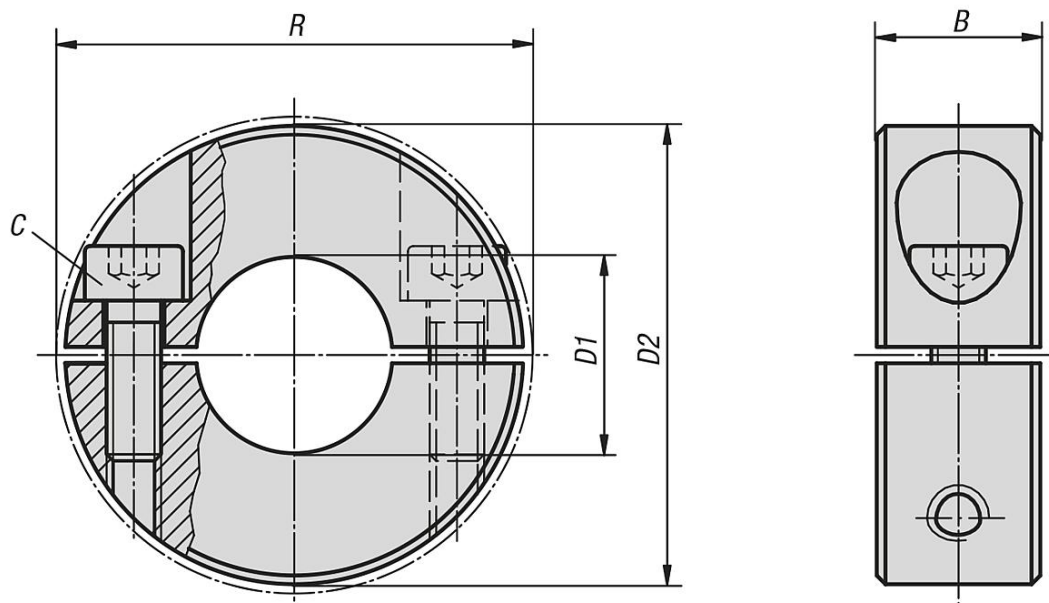
**Temperature range:**

-40 °C - +175 °C.

**On request:**

Other dimensions.

## Drawings



## Overview of items

Order No.	Main material	B	C (DIN 912)	D1	D2	R
07812-00401	steel	9	M3x8	4	16	20,7
07812-00501	steel	9	M3x8	5	16	20,7
07812-00601	steel	9	M3x8	6	16	20,7
07812-00801	steel	9	M3x8	8	18	22,4
07812-01001	steel	9	M3x10	10	24	26
07812-01201	steel	11	M4x12	12	28	31,8
07812-01501	steel	13	M5x16	15	34	39,4
07812-01601	steel	13	M5x16	16	34	39,4
07812-01801	steel	13	M5x16	18	36	41,1
07812-02001	steel	15	M6x18	20	40	46,4
07812-02201	steel	15	M6x18	22	42	48,1
07812-02501	steel	15	M6x18	25	45	50,8
07812-02801	steel	15	M6x18	28	48	53,7
07812-03001	steel	15	M6x18	30	54	58,6
07812-04001	steel	15	M6x18	40	60	65
07812-05001	steel	19	M8x25	50	78	87
07812-00402	stainless steel	9	M3x8	4	16	20,7
07812-00502	stainless steel	9	M3x8	5	16	20,7
07812-00602	stainless steel	9	M3x8	6	16	20,7
07812-00802	stainless steel	9	M3x8	8	18	22,4
07812-01002	stainless steel	9	M3x10	10	24	26
07812-01202	stainless steel	11	M4x12	12	28	31,8
07812-01502	stainless steel	13	M5x16	15	34	39,4
07812-01602	stainless steel	13	M5x16	16	34	39,4
07812-01802	stainless steel	13	M5x16	18	36	41,1
07812-02002	stainless steel	15	M6x18	20	40	46,4
07812-02202	stainless steel	15	M6x18	22	42	48,1
07812-02502	stainless steel	15	M6x18	25	45	50,8
07812-02802	stainless steel	15	M6x18	28	48	53,7
07812-03002	stainless steel	15	M6x18	30	54	58,6
07812-04002	stainless steel	15	M6x18	40	60	65
07812-05002	stainless steel	19	M8x25	50	78	87
07812-00404	stainless steel A4	9	M3x8	4	16	20,7
07812-00504	stainless steel A4	9	M3x8	5	16	20,7
07812-00604	stainless steel A4	9	M3x8	6	16	20,7
07812-00804	stainless steel A4	9	M3x8	8	18	22,4
07812-01004	stainless steel A4	9	M3x10	10	24	26
07812-01204	stainless steel A4	11	M4x12	12	28	31,8
07812-01504	stainless steel A4	13	M5x16	15	34	39,4
07812-01604	stainless steel A4	13	M5x16	16	34	39,4
07812-01804	stainless steel A4	13	M5x16	18	36	41,1
07812-02004	stainless steel A4	15	M6x18	20	40	46,4
07812-02204	stainless steel A4	15	M6x18	22	42	48,1
07812-02504	stainless steel A4	15	M6x18	25	45	50,8
07812-02804	stainless steel A4	15	M6x18	28	48	53,7
07812-03004	stainless steel A4	15	M6x18	30	54	58,6
07812-04004	stainless steel A4	15	M6x18	40	60	65
07812-05004	stainless steel A4	19	M8x25	50	78	87
07812-00403	aluminium	9	M3x8	4	16	20,7
07812-00503	aluminium	9	M3x8	5	16	20,7
07812-00603	aluminium	9	M3x8	6	16	20,7
07812-00803	aluminium	9	M3x8	8	18	22,4
07812-01003	aluminium	9	M3x10	10	24	26
07812-01203	aluminium	11	M4x12	12	28	31,8
07812-01503	aluminium	13	M5x16	15	34	39,4
07812-01603	aluminium	13	M5x16	16	34	39,4
07812-01803	aluminium	13	M5x16	18	36	41,1
07812-02003	aluminium	15	M6x18	20	40	46,4
07812-02203	aluminium	15	M6x18	22	42	48,1
07812-02503	aluminium	15	M6x18	25	45	50,8
07812-02803	aluminium	15	M6x18	28	48	53,7
07812-03003	aluminium	15	M6x18	30	54	58,6
07812-04003	aluminium	15	M6x18	40	60	65
07812-05003	aluminium	19	M8x25	50	78	87

