

Item description/product images

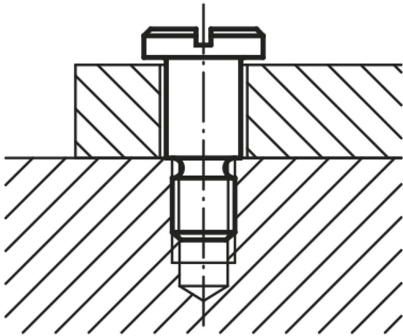


Description

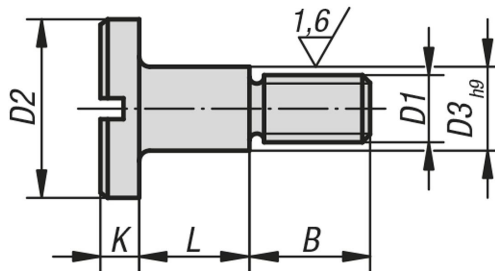
Material:
Steel.

Version:
Black oxidised, grade 5.8.

Note:
For use with captive C-washers 07520.



Drawings



Overview of items

Order No.	D1	D2	D3	L	B	K
07530-06	M6	13	8	10 +0,15/+0,07	9	3,1
07530-08	M8	16	10	12 +0,2/+0,1	11	3,8
07530-10	M10	20	13	16 +0,2/+0,1	13,5	4,6