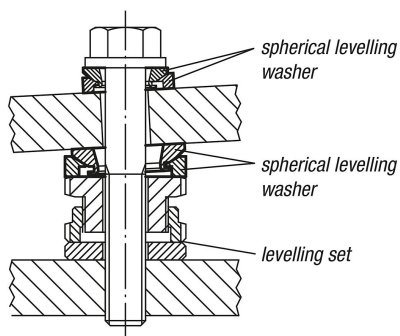


Item description/product images



Description

Material:

Steel 1.7225.
Stainless steel 1.4305.

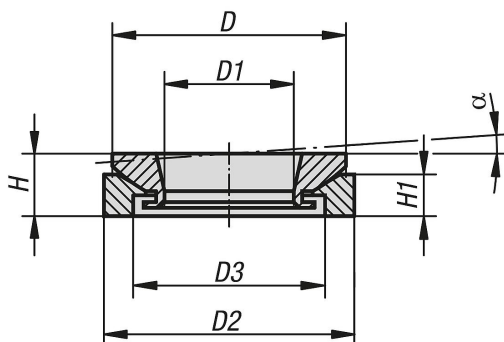
Version:

Steel trivalent blue passivated.
Stainless steel, bright.

Note:

Spherical levelling washers are for exact positioning when mounting up to 4° inclined surfaces. A second spherical levelling washer is recommended as support to correct the bolt angle if the angle of D3 is > 1°. The two washers cannot be detached from each other.

Drawings



Overview of items

Order No. steel	Order No. stainless steel	H	H1	D	D1	D2	D3	α
07460-151	07460-152	8	5,5	23	8,5	25	15	4°
07460-201	07460-202	10	6,2	30	13	32	20	4°
07460-301	07460-302	12,5	9	40	20	45	30	4°
07460-401	07460-402	16	13	52	29	58	38	4°
07460-501	07460-502	20	14	65	36	70	48	4°