

Item description/product images



Description

Material:

Housing, steel.
Magnetic core NdFeB.

Version:

Housing, electro zinc-plated.

Note:

Shielded system

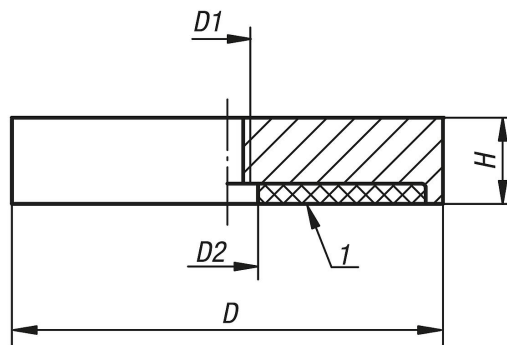
Temperature range:

max. 80°C.

Drawing reference:

1) magnetic face

Drawings



Overview of items

Order No.	D	D1	D2	H	Magnetic force N
09072-01	32	M5	5,5	7	330
09072-02	40	M5	10,5	8	550
09072-03	63	M10	11,7	14	1100
09072-04	75	M10	13	15	1750