

Item description/product images



Description

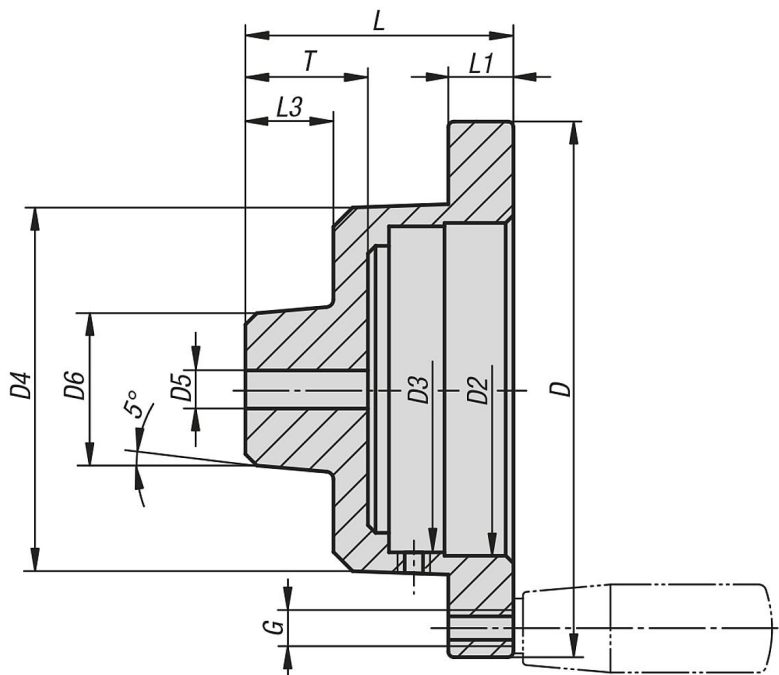
Material:
Cast aluminium.

Version:
Bright.

Note:
The handwheels have a recess for receiving position indicators.

Accessory:
– Position Indicators 21962
– Handles 06290 – 06320

Drawings



Overview of items

| Order No. | Size | D | D2 | D3 | D4 | D5 predrilled | D6 | G | L | L1 | L3 | T | Suitable for |
|--------------|------|-----|----|------|----|------------------|----|----|----|----|----|----|----------------------------|
| 21972-801201 | 80 | 120 | 87 | 85,2 | 95 | 6,8 | 40 | M6 | 64 | 15 | 23 | 30 | position indicator size 80 |
| 21972-801401 | 80 | 140 | 87 | 85,2 | 95 | 6,8 | 40 | M8 | 70 | 17 | 23 | 30 | position indicator size 80 |