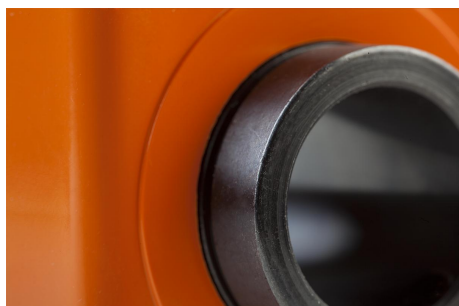


## Item description/product images



## Description

### Material:

Housing polyamide 6.  
Hollow shaft steel.  
Screen plastic.  
Grub screw steel.

### Version:

Impact-resistant housing.  
Hollow shaft black oxidised.  
Grub screw black.  
Dial black, digits white.

### Note:

Position indicators allow direct reading of input measurement values at a glance. In addition, the value indicated per spindle rotation (corresponding spindle pitch) can be selected and the various indicator values are realised by a transmission gear. The position indicators are distinguished by their small construction with very clear display and fine scale. They are especially suitable for small spindle distances and small shaft diameters and have a torque support that is positioned in a hole on the side.

\*\* At the 1st asterisk give assembly position and at the 2nd asterisk give the count direction (see sample order "assembly position, count direction").

### Technical data:

- Counter consisting of 4 10-position dials + fine scale
- Height of figures about 6 mm
- Hollow shaft  $\varnothing$  14 H7 mm
- Temperature resistant to 80 °C
- Oil and solvent resistant

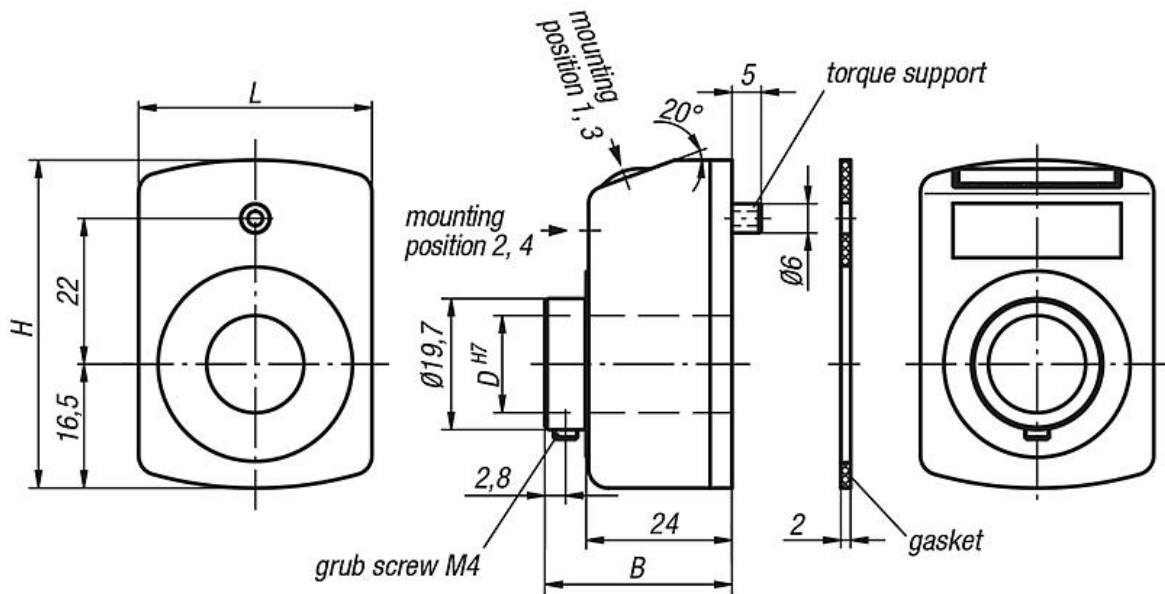
### On request:

- Counter cover made of mineral glass
- Stainless steel driveshaft
- Axial sealing (dust-proof)
- Vibration protection

### Accessory:

- [Reduzierhülsen 21940](#)
- [Zwischenplatten 21942](#)
- [Montageplatten 21944](#)

Drawings



Display after one rotation, with decimal point:	Mounting position (1 - 4):
e. g. 21902-01002111 0100 = 1 mm increments 2 = decimal places	e. g. 21902-01002111 = mounting position 1

Count direction (1 - 2):	Colour (1 - 2):
e. g. 21902-01002111 1 = clockwise (ascending values) 2 = anticlockwise (ascending values)	e. g. 21902-01002111 1 = orange 2 = black

## Overview of items

Order No. orange RAL 2004	Order No. black	B	D	H	L	Pitch	Indicator after one rotation	Decimal point in position	max. rpm
21902-01002**1	21902-01002**2	31	14	47	33	1	00,10	2	500
21902-01001**1	21902-01001**2	31	14	47	33	1	001,0	1	500
21902-01251**1	21902-01251**2	31	14	47	33	1,25	001,2/5	1	500
21902-01501**1	21902-01501**2	31	14	47	33	1,5	001,5	1	500
21902-02001**1	21902-02001**2	31	14	47	33	2	002,0	1	500
21902-02501**1	21902-02501**2	31	14	47	33	2,5	002,5	1	500
21902-03001**1	21902-03001**2	31	14	47	33	3	003,0	1	500
21902-04001**1	21902-04001**2	31	14	47	33	4	004,0	1	375
21902-05001**1	21902-05001**2	31	14	47	33	5	005,0	1	300
21902-06001**1	21902-06001**2	31	14	47	33	6	006,0	1	250
21902-08001**1	21902-08001**2	31	14	47	33	8	008,0	1	180
21902-10001**1	21902-10001**2	31	14	47	33	10	010,0	1	150