

Item description/product images



Description

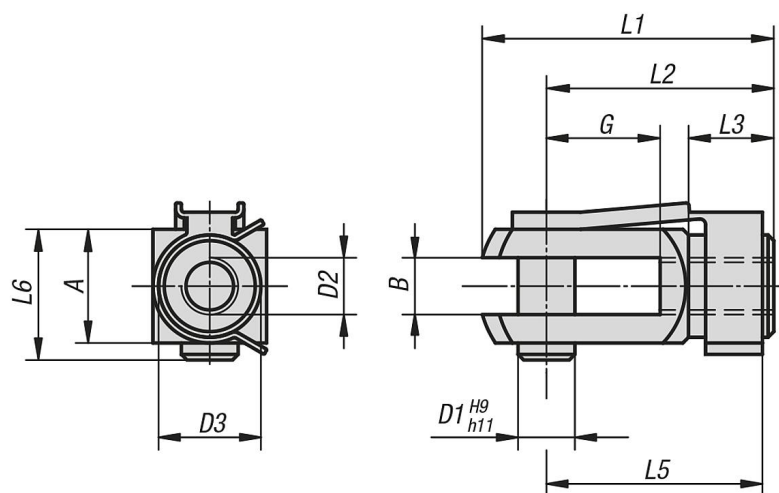
Material:

Clevis and pins free-cutting steel.  
Spring, spring steel.

Version:

Trivalent passivated.

Drawings



Overview of items

Order No.	Version	B	G	D1	D2	D3	L1	L2	L3	L5	L6	A
27620-03508	RH thread	4	8	4	M3,5	8	21	16	6	15	10	8
27620-0510	RH thread	5	10	5	M5	9	26	20	7,5	19	12	10
27620-0612	RH thread	6	12	6	M6	10	31	24	9	23	14	12
27620-0816	RH thread	8	16	8	M8	14	42	32	12	31	19	16
27620-0832	RH thread	8	32	8	M8	14	58	48	12	47	19	16
27620-1020	RH thread	10	20	10	M10	18	52	40	15	39	23	20
27620-10120	RH thread	10	20	10	M10x1,25	18	52	40	15	39	23	20
27620-1040	RH thread	10	40	10	M10	18	72	60	15	59	23	20
27620-10140	RH thread	10	40	10	M10x1,25	18	72	60	15	59	23	20
27620-1224	RH thread	12	24	12	M12	20	62	48	18	47	28	24
27620-12124	RH thread	12	24	12	M12x1,25	20	62	48	18	47	28	24
27620-1248	RH thread	12	48	12	M12	20	86	72	18	69	28	24
27620-12148	RH thread	12	48	12	M12x1,25	20	86	72	18	69	28	24
27620-1428	RH thread	14	28	14	M14	24	72	56	22,5	52	31	27
27620-1632	RH thread	16	32	16	M16	26	83	64	24	62	36	32
27620-16132	RH thread	16	32	16	M16x1,5	26	83	64	24	62	36	32
27620-05101	LH thread	5	10	5	M5	9	26	20	7,5	19	12	10
27620-06121	LH thread	6	12	6	M6	10	31	24	9	23	14	12
27620-08161	LH thread	8	16	8	M8	14	42	32	12	31	19	16
27620-08321	LH thread	8	32	8	M8	14	58	48	12	47	19	16
27620-10201	LH thread	10	20	10	M10	18	52	40	15	39	23	20
27620-10401	LH thread	10	40	10	M10	18	72	60	15	59	23	20
27620-12241	LH thread	12	24	12	M12	20	62	48	18	47	28	24
27620-16321	LH thread	16	32	16	M16	26	83	64	24	62	36	32

