

Item description/product images



Description

Material:

Steel or 1.4305 stainless steel.

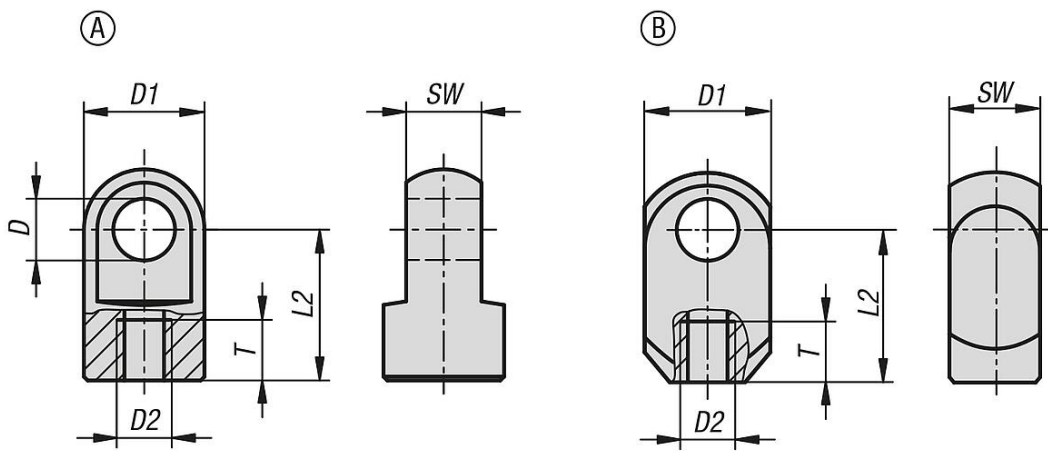
Version:

Steel electro zinc-plated.  
Stainless steel bright.

Note:

With internal thread.

Drawings



Overview of items

Order No.	Main material	Form	D	D1	D2	L2	SW	T
27618-03504111	steel	A	4,1	8	M3,5	11	4	6
27618-0506116	steel	A	6,1	10	M5	16	6	8
27618-0508116	steel	B	8,1	15	M5	16	10	8
27618-0808119	steel	A	8,1	14	M8	19	10	11
27618-1008127	steel	A	8,1	18	M10	27	10	12
27618-05061161	stainless steel	A	6,1	10	M5	16	6	8
27618-08081191	stainless steel	A	8,1	14	M8	19	10	11
27618-10081271	stainless steel	A	8,1	18	M10	27	10	12