

Item description/product images



Description

Material:

Steel or 1.4305 stainless steel.

Version:

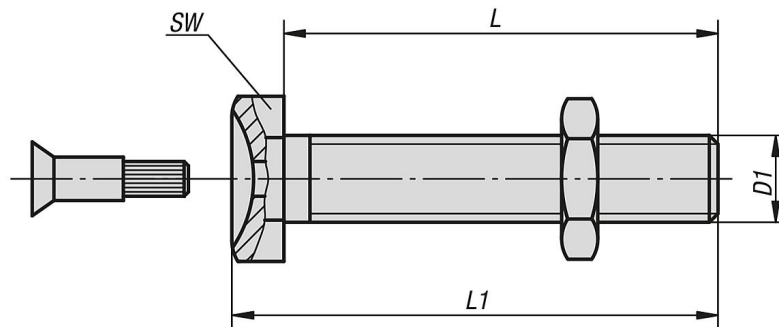
Steel trivalent blue passivated.

Stainless steel, bright.

Note:

ECO levelling feet consist of a threaded spindle and a plate. Any threaded spindle can be combined with any plate.

Drawings



Overview of items

Order No.	Main material	D1	L	L1	SW	Load rating max. kN
27832-080251	steel	M8	25	29,5	13	3,5
27832-080401	steel	M8	40	44,5	13	3,5
27832-080501	steel	M8	50	54,5	13	3,5
27832-080701	steel	M8	70	74,5	13	3,5
27832-080801	steel	M8	80	84,5	13	3,5
27832-081001	steel	M8	100	104,5	13	3,5
27832-081201	steel	M8	120	124,5	13	3,5
27832-100251	steel	M10	25	30	17	4,7
27832-100401	steel	M10	40	45	17	4,7
27832-100501	steel	M10	50	55	17	4,7
27832-100701	steel	M10	70	75	17	4,7
27832-100801	steel	M10	80	85	17	4,7
27832-101001	steel	M10	100	105	17	4,7
27832-101201	steel	M10	120	125	17	4,7
27832-120251	steel	M12	25	31	19	7,7
27832-120401	steel	M12	40	46	19	7,7
27832-120501	steel	M12	50	56	19	7,7
27832-120701	steel	M12	70	76	19	7,7
27832-120801	steel	M12	80	86	19	7,7
27832-121001	steel	M12	100	106	19	7,7
27832-121201	steel	M12	120	126	19	7,7
27832-160501	steel	M16	50	58,5	24	14,5
27832-161001	steel	M16	100	108,5	24	14,5
27832-161501	steel	M16	150	158,5	24	14,5
27832-080252	stainless steel	M8	25	29,5	13	3,5

Overview of items

Order No.	Main material	D1	L	L1	SW	Load rating max. kN
27832-080402	stainless steel	M8	40	44,5	13	3,5
27832-080502	stainless steel	M8	50	54,5	13	3,5
27832-080702	stainless steel	M8	70	74,5	13	3,5
27832-080802	stainless steel	M8	80	84,5	13	3,5
27832-081002	stainless steel	M8	100	104,5	13	3,5
27832-081202	stainless steel	M8	120	124,5	13	3,5
27832-100252	stainless steel	M10	25	30	17	4,7
27832-100402	stainless steel	M10	40	45	17	4,7
27832-100502	stainless steel	M10	50	55	17	4,7
27832-100702	stainless steel	M10	70	75	17	4,7
27832-100802	stainless steel	M10	80	85	17	4,7
27832-101002	stainless steel	M10	100	105	17	4,7
27832-101202	stainless steel	M10	120	125	17	4,7
27832-120252	stainless steel	M12	25	31	19	7,7
27832-120402	stainless steel	M12	40	46	19	7,7
27832-120502	stainless steel	M12	50	56	19	7,7
27832-120702	stainless steel	M12	70	76	19	7,7
27832-120802	stainless steel	M12	80	86	19	7,7
27832-121002	stainless steel	M12	100	106	19	7,7
27832-121202	stainless steel	M12	120	126	19	7,7
27832-160502	stainless steel	M16	50	58,5	24	14,5
27832-161002	stainless steel	M16	100	108,5	24	14,5
27832-161502	stainless steel	M16	150	158,5	24	14,5