

Item description/product images

**Description****Material:**

Clevis and pin, steel 1.7225

Version:

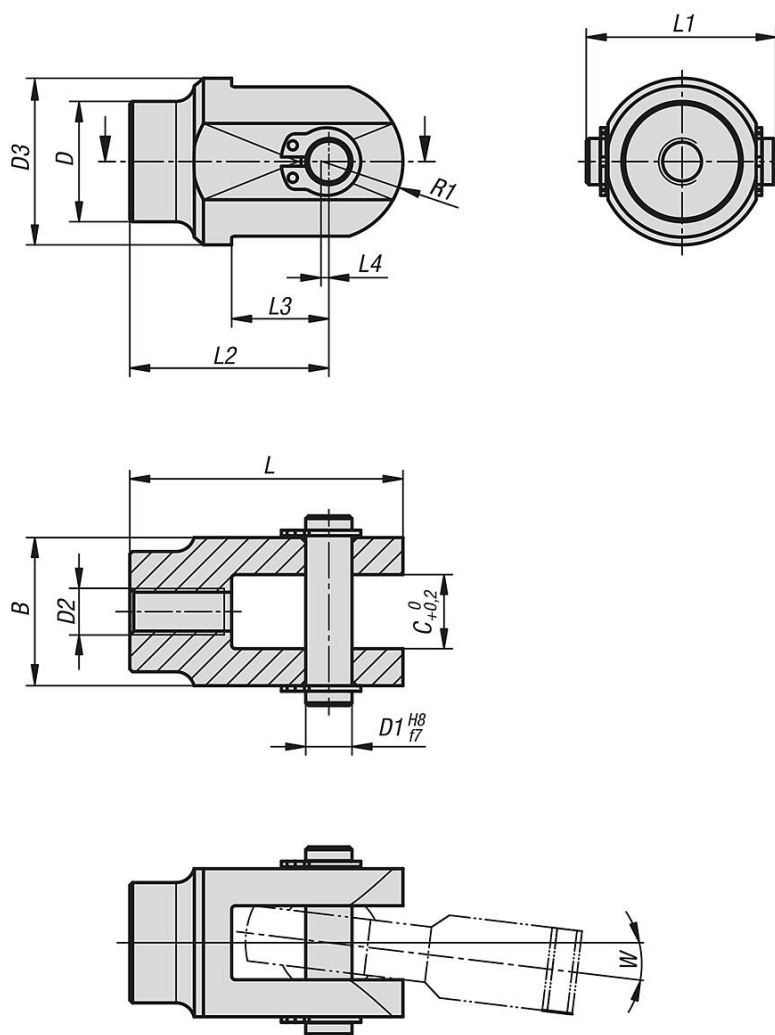
Electro zinc-plated.

Note:

These clevises were developed as accessories for rod ends. The clevis opening size C was chosen to accept rod end joints.

Suitable for rod ends 27625, 27626, 27627 and 27628.

Drawings



Overview of items

| Order No. | B | C | D | D1 | D2 | D3 | L | L1 | L2 | L3 | L4 | R1 | W° | F static kN |
|----------------|----|----|----|----|-----|----|------|------|------|------|-----|------|-----|----------------|
| 27614-05080516 | 16 | 8 | 13 | 5 | M5 | 18 | 29,5 | 20,5 | 21,5 | 10,5 | 0,5 | 8,5 | 6,5 | 8 |
| 27614-06090618 | 18 | 9 | 15 | 6 | M6 | 20 | 33,5 | 22,9 | 25 | 11,5 | 0,5 | 9 | 7 | 9 |
| 27614-08120820 | 20 | 12 | 17 | 8 | M8 | 24 | 41 | 24,9 | 31,5 | 13,5 | 1 | 10,5 | 8 | 14,5 |
| 27614-10141025 | 25 | 14 | 21 | 10 | M10 | 28 | 49,5 | 30,3 | 38 | 16 | 1 | 12,5 | 8 | 19,5 |
| 27614-12161229 | 29 | 16 | 25 | 12 | M12 | 32 | 57,5 | 34,3 | 44 | 18 | 1,5 | 15 | 8 | 23,5 |
| 27614-16211638 | 38 | 21 | 30 | 16 | M16 | 42 | 76,5 | 43,3 | 58 | 23,5 | 1,5 | 20 | 9 | 32 |
| 27614-20252045 | 45 | 25 | 38 | 20 | M20 | 50 | 90,5 | 51,9 | 68 | 29,5 | - | 22,5 | 9 | 43 |