

Item description/product images



Description

Material:

Thermoplastic polyamide 66;
O-ring in rubber (NBR)

Version:

Black.

Temperature range:

Temperature resistant with oil up to 100°C.

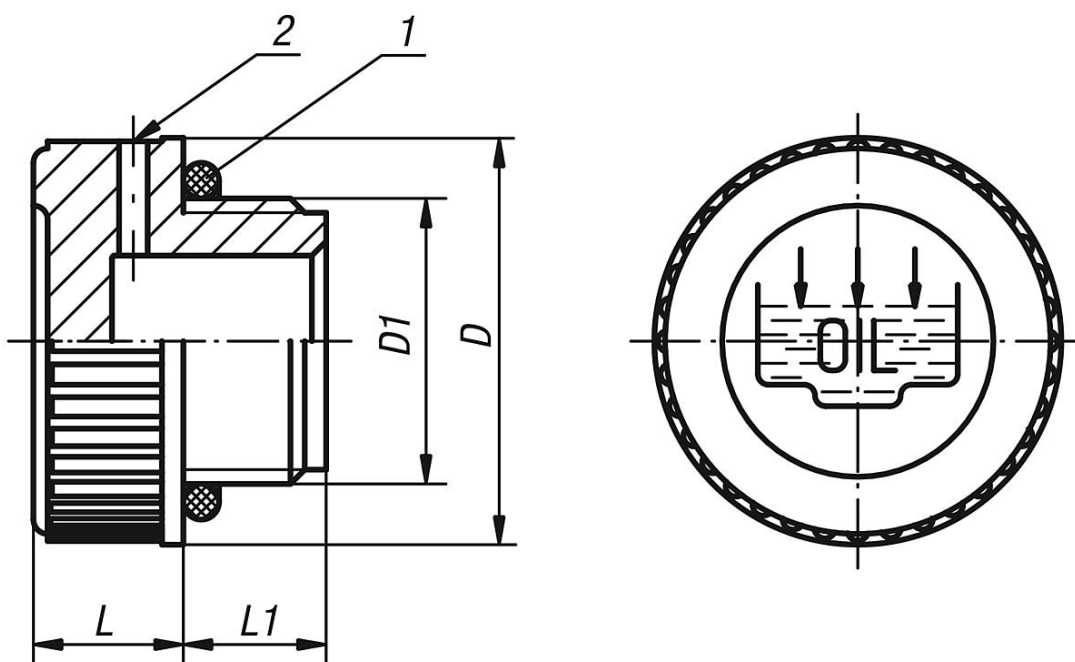
Drawing reference:

Form A: with fill symbol

Form B: with fill symbol and vent hole

- 1) O-ring
- 2) vent hole only Form B

Drawings



Overview of items

Order No.	Form	D	D1	L	L1
28030-120014	A	20	G1/4	9	9
28030-120038	A	20,5	G3/8	9	10
28030-128012	A	28	G1/2	10,5	10,5
28030-131034	A	31	G3/4	12	11
28030-139100	A	39	G1	12	12
28030-149114	A	49	G1 1/4	13	13,5
28030-155112	A	55	G1 1/2	14,7	14,5
28030-168200	A	68,5	G2	15	16
28030-1201415	A	20	M14X1,5	9	9
28030-1201615	A	20	M16X1,5	9	10
28030-1281815	A	28	M18X1,5	10,5	10

Overview of items

Order No.	Form	D	D1	L	L1
28030-1282015	A	28	M20X1,5	10,5	10
28030-1282215	A	28	M22X1,5	10,5	10
28030-220014	B	20	G1/4	9	9
28030-220038	B	20,5	G3/8	9	10
28030-228012	B	28	G1/2	10,5	10,5
28030-231034	B	31	G3/4	12	11
28030-239100	B	39	G1	12	12
28030-249114	B	49	G1 1/4	13	13,5
28030-255112	B	55	G1 1/2	14,7	14,5
28030-268200	B	68,5	G2	15	16
28030-2201415	B	20	M14X1,5	9	9
28030-2201615	B	20	M16X1,5	9	10
28030-2281815	B	28	M18X1,5	10,5	10
28030-2282015	B	28	M20X1,5	10,5	10
28030-2282215	B	28	M22X1,5	10,5	10