

Item description/product images

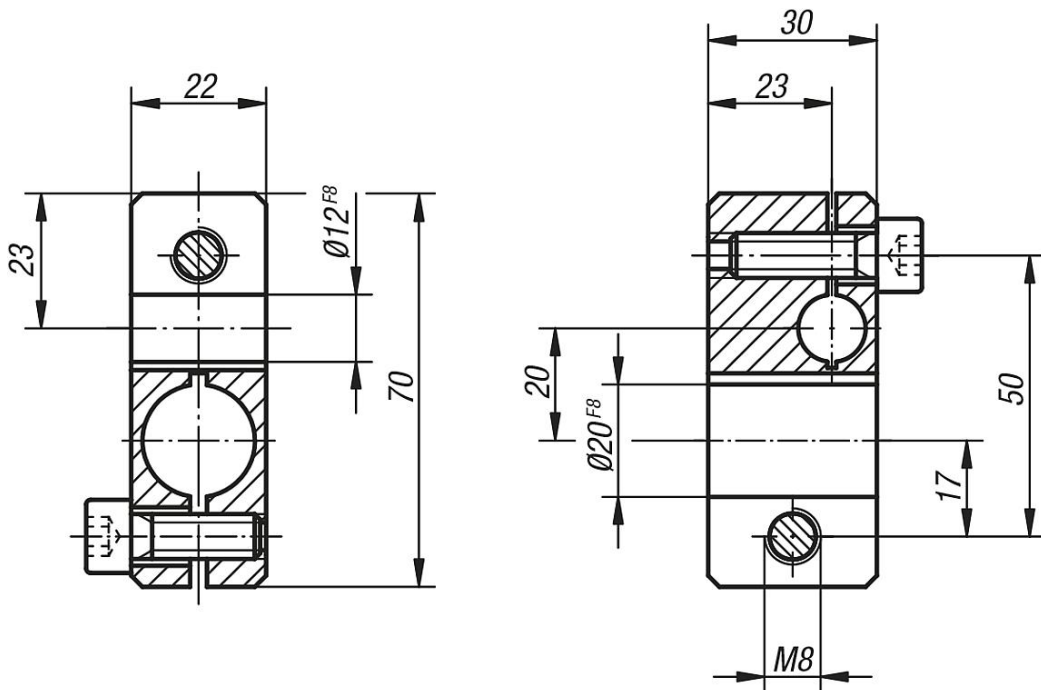


Description

Material:
Carbon steel.

Version:
Black oxidised.

Drawings



Overview of items

Order No.	Dimensions
31150-1220	see drawing