

Item description/product images



for electrics



Description

Material:

Housing plastic (ABS and PES).

Version:

Auxiliary device mounted via slotted holes.

Note:

Operating unit for external control of an LED lamp. Operated via a membrane keypad with 3 buttons. The operating unit is used to dim an LED lamp from 100 to 10% and switch it on and off.

It is connected to a lamp via a BST14I2F B1 Wieland plug.

These operating units are suitable for the LED lamps 86050-05.

Certificates / standards met:

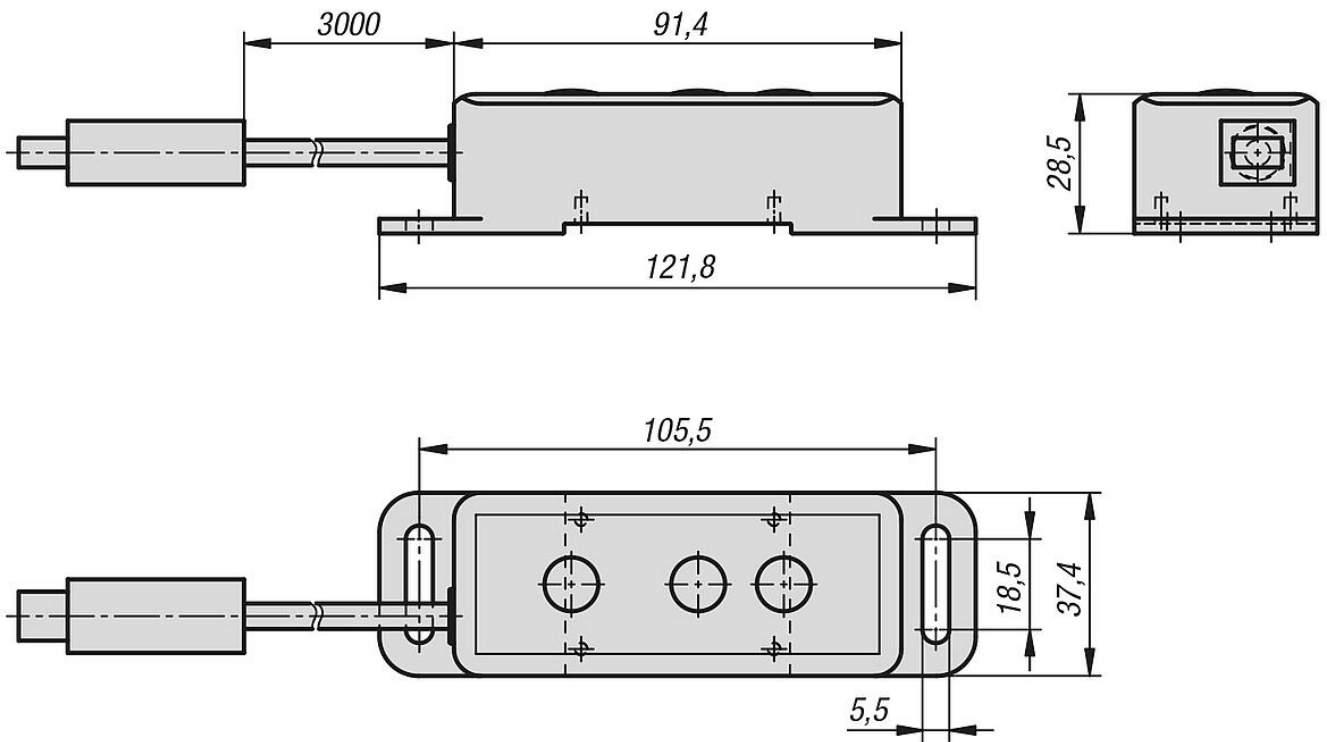
CE, UKCA.

Temperature range:

Storage temperature: -20 °C to +80 °C.

Operating temperature: -20°C to +50°C.

Drawings



Overview of items

Order No.	Cable length	Safety rating	Protection class
86091-1	3000	IP54	III