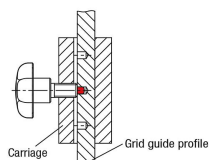
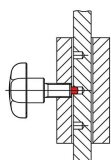


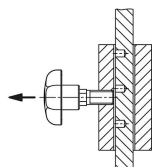
Item description/product images



- Indexing pin engaged
- Grid guide profile clamped
- Locking slide system locked and clamped play-free with threaded sleeve



- Indexing pin engaged
- Lock released
- Locking slide system locked, but not play-free



- Indexing and clamping grip retracted
- Indexing pin disengaged
- Lock released
- Locking slide system can be moved

Description

Product description:

The indexing and clamping grips enable the positioning, securing and clamping of diverse positioning elements with just one product. Indexing is carried out using the indexing pin and the item is clamped using the end face of the sleeve.

Material:

Star grip black grey thermoplastic.
Threaded sleeve 1.0718.
Indexing pin stainless steel 1.4305.

Version:

Steel electro zinc-plated.
Stainless steel bright.

Advantages:

Indexing and clamping with one product.
Ergonomic operation via star grip.

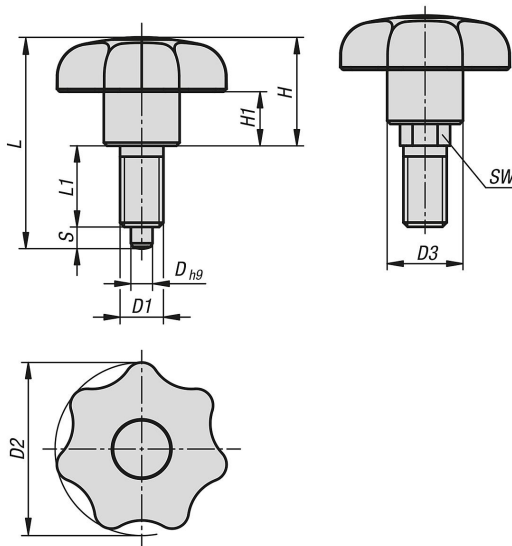
On request:

Special versions.

Accessory:

Hexagon nuts thin DIN 439

Drawings



Overview of items

Order No.	D	D1	D2	D3	H	H1	L	L1	Travel S	SW
03190-10-108040	4	M8	32	14	20	10	39	15	4	8
03190-10-210050	5	M10	40	18	24,9	13	46,9	17	5	10
03190-10-312060	6	M12	50	22	31,8	17	57,8	20	6	12
03190-10-416080	8	M16	63	26	40	21	74	26	8	16
03190-10-108041	4	M8x1	32	14	20	10	39	15	4	8
03190-10-210051	5	M10x1	40	18	24,9	13	46,9	17	5	10
03190-10-312061	6	M12x1,5	50	22	31,8	17	57,8	20	6	12

Overview of items

Order No.	D	D1	D2	D3	H	H1	L	L1	Travel S	SW
03190-10-416081	8	M16x1,5	63	26	40	21	74	26	8	16