



Description

Material:

Housing plastic.
Shaft stainless steel.
Connector thread brass.
Earthing terminal metal.

Version:

Nickel-plated brass.
1x M8 connector (A coded), 4-pole, 1x pin.

Note:

The IO link-enabled position indicators are used to check format adjustments, in order to effectively reduce set-up times and increase machine efficiency.

The two-line LCD display can display both the setpoint value and the actual value. Two LEDs give the user visual signals indicating whether the setpoint and actual values match (LEDs lit green) or do not match (LEDs lit red). The LEDs also indicate to the user which direction of adjustment to apply in order to reach the desired position.

Position indicators 21924-1530 and 21924-1650 are linked to the application by a shaft. The position of the application is determined by a robust sensor system which uses magnetic scanning.

Position indicators 21924-1531 and 21924-1651 are mounted directly in the application. The position is determined by a magnetic sensor (21924-01) and a magnetic tape (21725). Suitable only for linear length measurement.

On request:

Certificate of conformity.

Supplied with:

Position indicators
Assembly instructions

Accessory:

Position indicators 21924-1530 and 21924-1650:
Reducing bush 21940-20**.

Position indicators 21924-1531 and 21924-1651:
Magnetic sensor 21924-01.
Magnetic tape 21725.

Note:

These position indicators can be integrated only with a IO link communication system.

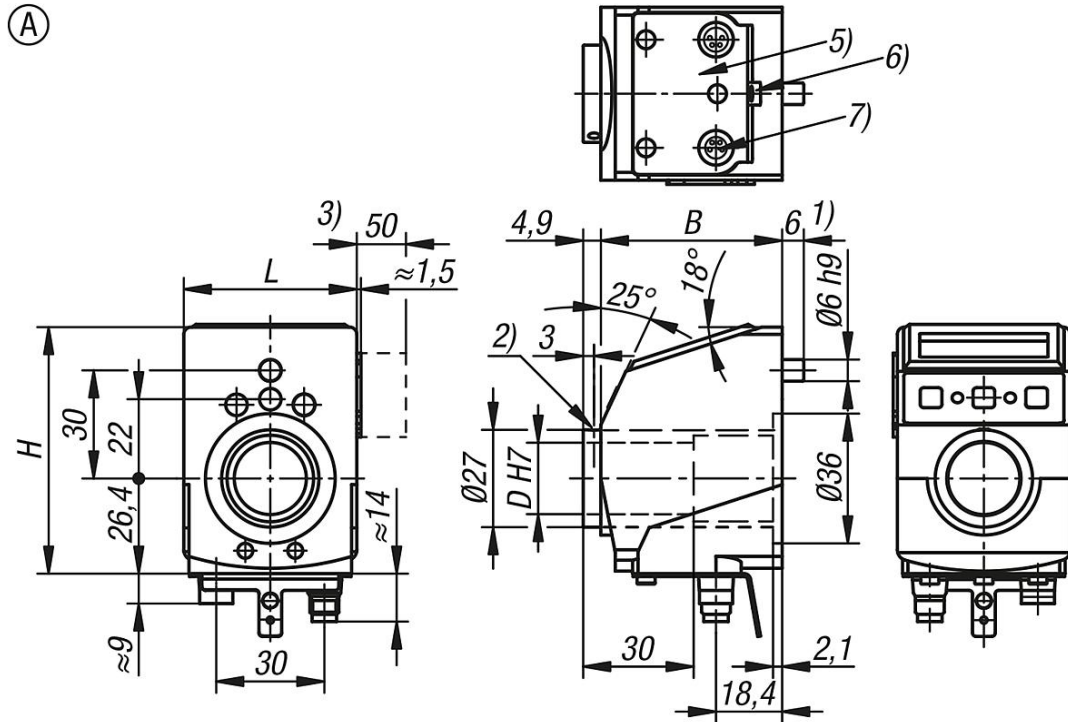
Drawing reference:

- 1) Torque support
- 2) Grub screw M3 (2x 120°)
- 3) Min. space required to change battery without disassembling.
- 4) 2x M5/7 deep
- 5) Contact area
- 6) Earthing terminal for flat connector 6.3 or cable lug

Item description/product images

- 7) IO link M8 connector (pin contact) metal connection thread
- 8) Sensor

Drawings



Overview of items

Order No.	Form	Component material	B	D	H	L	Safety rating
21924-1530	A	stainless steel	50,3	20	68,4	48	IP53
21924-1650	A	stainless steel	50,3	20	68,4	48	IP65