

## Item description/product images



## Description

**Material:**

Polyamide fibreglass reinforced.

**Version:**

Black. Closed.

**Note:**

Energy supply chains for safe guiding of flexible electric and data cables as well as pneumatic and hydraulic hoses. The modularly constructed chains can be easily shortened or extended.

The material is UV-resistant and therefore also suitable for outdoor applications.

**Technical data:**

Technical features in unsupported areas:

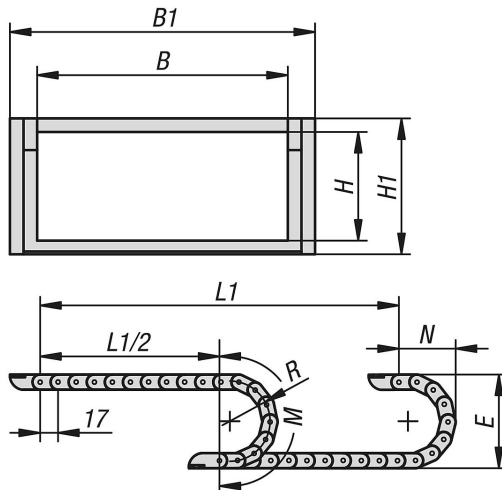
Speed: 10 m/s

Acceleration: 50 m/s<sup>2</sup>

**Temperature range:**

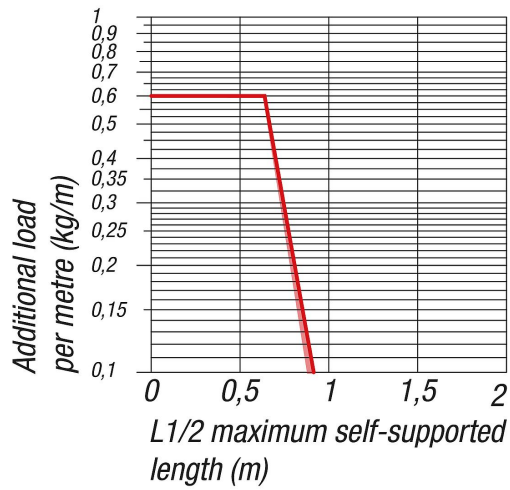
-30°C to +125°C

## Drawings



$$L = L1/2 + M$$

Drawings



Overview of items

Order No.	B	B1	H	H1	L	E	M	N	R	No. of links	Approx. weight kg/m	Connecting element
80850-120120180	12	18	12	15	1003	51	95	45	18	59	0,13	80850-01-12012