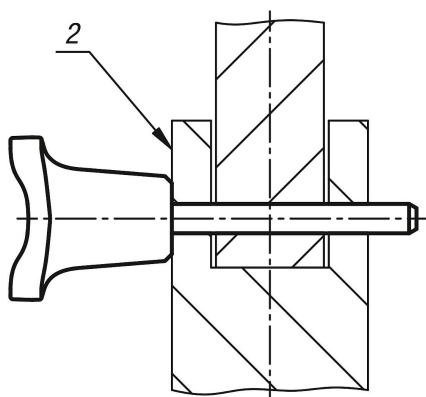


Item description/product images

INCH
Parts

Description

Material:

Grip thermoplastic.
Steel parts 1.4305 stainless steel.
Magnet NdFeB.

Version:

Grip black.
Stainless steel bright.

Note:

The locking pins with magnetic axial lock are used for fast and easy fixating and joining of parts and workpieces.
Magnets integrated into the grip ensure axial positioning and hold the locking pin in the inserted position.

Smooth surfaces and a perpendicular insertion bore have a positive effect on the retaining forces.

Optional retainer systems can be used to make the locking pins captive.

Shear force double-shear (F) = $S \cdot \tau \cdot aB$ max.

On request:

Other pin lengths.

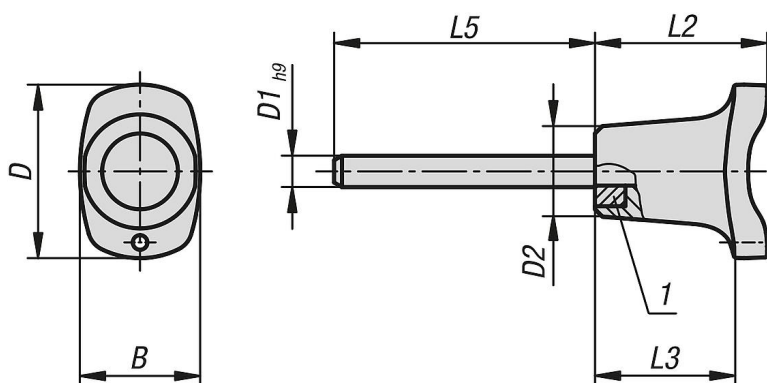
Accessory:

Safety spiral cable 03199....
Retaining cable with loop 03199....
Key ring 03199....
Ball chains 96390....

Drawing reference:

1) Magnet
2) Steel part/workpiece

Drawings



Overview of items

Overview of items

Locking pin with magnetic axial lock, metric

Order No.	B	D	D1	D2	L2	L3	L5	Receiving hole	Shearing force double shear max.kN	Clamping force ca. N
03412-33CML16	23	33,2	1/4	17,3	33	26,1	1,0	1/4	24	43
03412-33CML24	23	33,2	1/4	17,3	33	26,1	1,5	1/4	24	43
03412-33CML32	23	33,2	1/4	17,3	33	26,1	2,0	1/4	24	43
03412-46COL16	33	45,9	3/8	26,3	39,5	31,3	1,0	3/8	54	74
03412-46COL24	33	45,9	3/8	26,3	39,5	31,3	1,5	3/8	54	74
03412-46COL32	33	45,9	3/8	26,3	39,5	31,3	2,0	3/8	54	74
03412-46CPL24	33	45,9	1/2	26,3	39,5	31,3	1,5	1/2	96	74
03412-46CPL32	33	45,9	1/2	26,3	39,5	31,3	2,0	1/2	96	74
03412-46CPL36	33	45,9	1/2	26,3	39,5	31,3	2,5	1/2	96	74