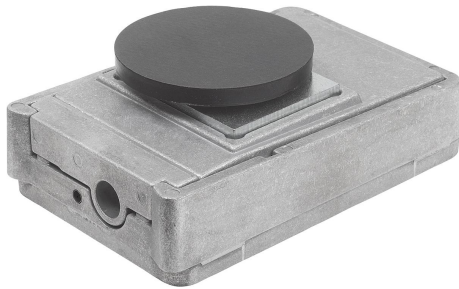


Item description/product images



Description

Material:

Housing aluminium, support surface nitrile rubber.

Version:

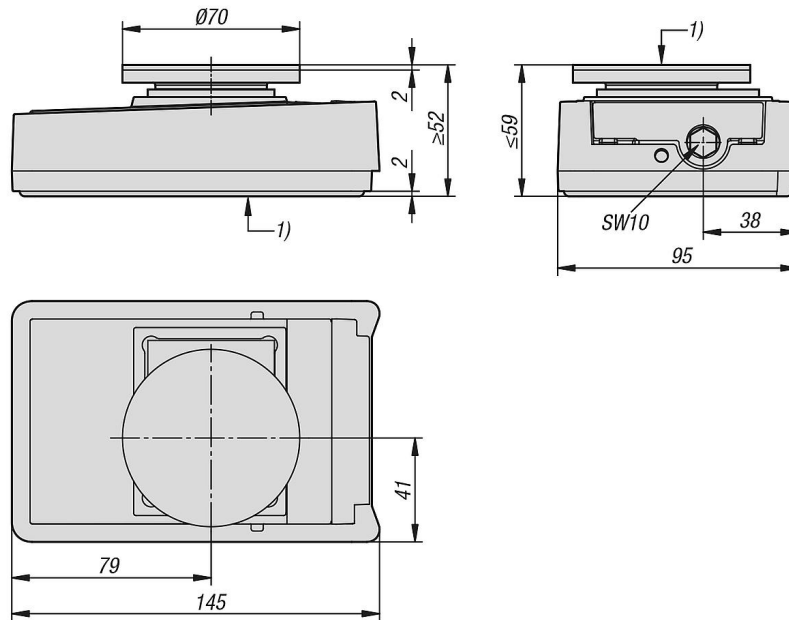
Free-standing.

Note:

The low non-slip levelling wedges are suitable for loads of up to 7 tonnes. The spherical, vulcanised nitrile rubber support surface with a hardness of Shore 80 (1) can compensate for any unevenness.

The vulcanised Shore 80 nitrile rubber anti-slip face (1) provides permanent insulation from vibrations, noise, and corrosive media.

Drawings



Overview of items

Order No.	Fine adjustment (mm)	Adj. load (kN)	Torque on setscrew (Nm)	Height adjustment per rotation (mm)
27710-25-145095059	7	70	35	0,275