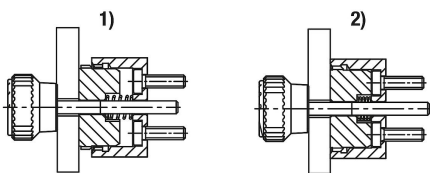
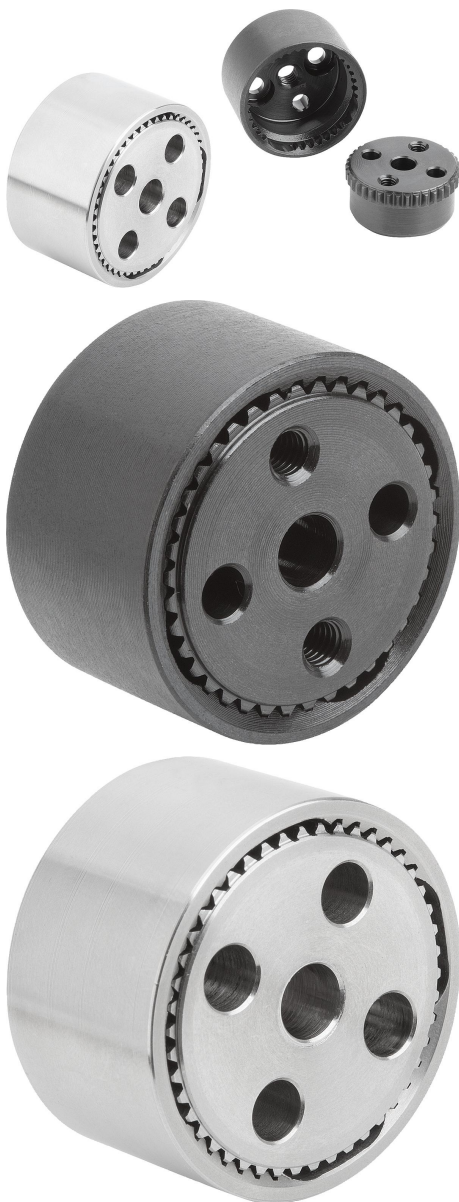


Item description/product images

**Description****Product description:**

Ratchet elements are used to connect two components together in any angular position with a positive fit. The ratchet elements with internal toothing (Forms A–D) can be combined with the ratchet elements with external toothing (Forms E–H) in any way depending on the application and installation possibilities. The springs mean that a new angular position can be quickly implemented.

Material:

Ratchet element steel 1.0718 or stainless steel 1.4305.

Spring stainless steel 1.4310.

Cap screws steel or stainless steel A 2.

Version:

Ratchet element black oxidised steel or bright stainless steel.

Spring bright.

Cap screw blackened steel grade 8.8 or bright A2-70 stainless steel.

Note for ordering:

2 cap screws M3x8 or M5x10 are supplied with the internal toothed ratchet elements Forms A and B.

A stainless steel spring is supplied with the external toothed ratchet elements Forms E to H.

Note:

Use DIN 7984 low headed cap screws for fastening the Form A and B ratchet elements.

Function:

The ratchet elements are used for rotary adjustment of components. Fastening options can be arranged according to the application.

Accessory:

DIN 912/DIN EN ISO 4762 cap screws

DIN 6912 cap screws

Drawing reference:

Form A: internal toothing, centre tapped hole, 2x counterbores for low headed cap screws, 2x reamed holes

Form B: internal toothing, centre through bore, 2x counterbores for low headed cap screws, 2x reamed holes

Form C: internal toothing, centre tapped hole, 2x tapped holes for fastening, 2x reamed holes

Form D: internal toothing, centre through bore, 2x tapped holes for fastening, 2x reamed holes

Form E: external toothing, centre tapped hole, 2x counterbores for cap screws, 2x reamed holes

Form F: external toothing, centre through bore, 2x counterbores for cap screws, 2x reamed holes

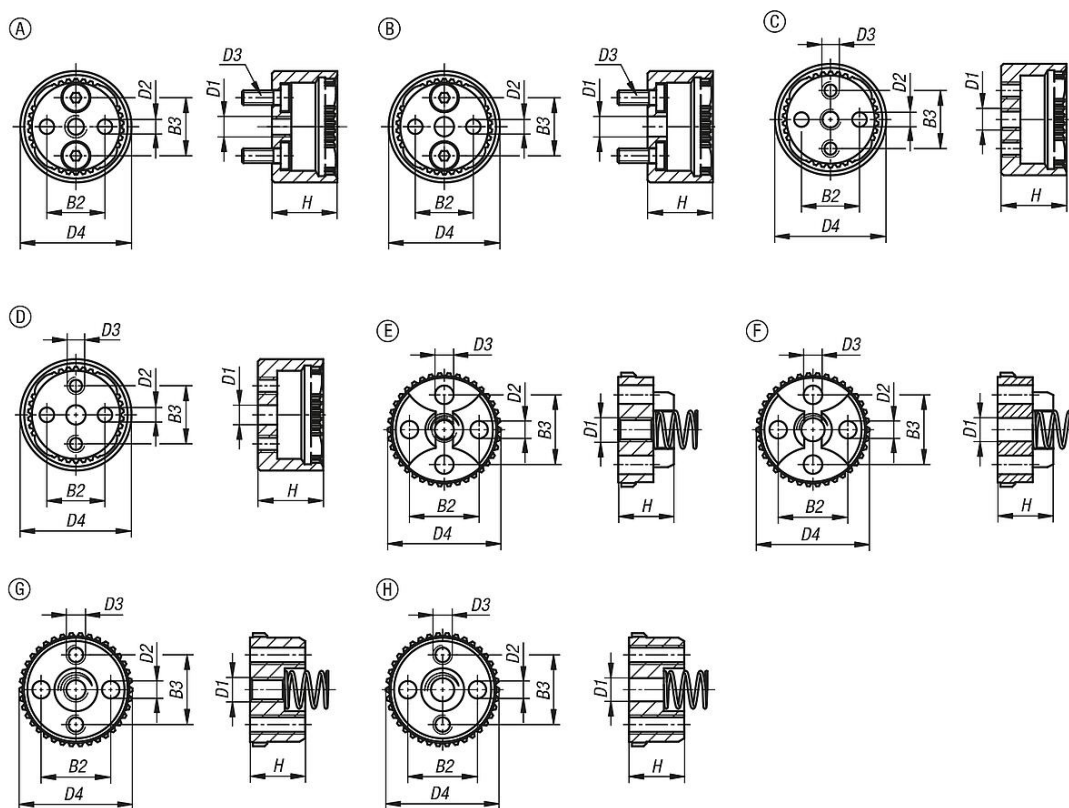
Form G: external toothing, centre tapped hole, 2x tapped holes, 2x reamed holes

Form H: external toothing, centre through bore, 2x tapped holes, 2x reamed holes

1) disengaged

2) engaged

Drawings



Overview of items

Order No.	Form	Version 1	Main material	B2	B3	drill Ø D1	D1	D2	D3	D4	H	No. of teeth
07820-12338	A	with internal tothing	steel	12	12	-	M4	3H8	M3	23	13,5	38
07820-13346	A	with internal tothing	steel	18	18	-	M6	5H8	M5	33	19,5	46
07820-22338	B	with internal tothing	steel	12	12	4,2	-	3H8	M3	23	13,5	38
07820-23346	B	with internal tothing	steel	18	18	6,2	-	5H8	M5	33	19,5	46
07820-32338	C	with internal tothing	steel	12	12	-	M4	3H8	M3	23	13,5	38
07820-33346	C	with internal tothing	steel	18	18	-	M6	5H8	M5	33	19,5	46
07820-42338	D	with internal tothing	steel	12	12	4,2	-	3H8	M3	23	13,5	38
07820-43346	D	with internal tothing	steel	18	18	6,2	-	5H8	M5	33	19,5	46
07820-52338	E	with external tothing	steel	12	12	-	M4	3H8	3,2	23	9,5	38
07820-53346	E	with external tothing	steel	18	18	-	M6	5H8	5,3	33	13	46
07820-62338	F	with external tothing	steel	12	12	4,2	-	3H8	3,2	23	9,5	38
07820-63346	F	with external tothing	steel	18	18	6,2	-	5H8	5,3	33	13	46
07820-72338	G	with external tothing	steel	12	12	-	M4	3H8	M3	23	9,5	38
07820-73346	G	with external tothing	steel	18	18	-	M6	5H8	M5	33	13	46
07820-82338	H	with external tothing	steel	12	12	4,2	-	3H8	M3	23	9,5	38
07820-83346	H	with external tothing	steel	18	18	6,2	-	5H8	M5	33	13	46
07820-112338	A	with internal tothing	stainless steel	12	12	-	M4	3H8	M3	23	13,5	38
07820-113346	A	with internal tothing	stainless steel	18	18	-	M6	5H8	M5	33	19,5	46
07820-122338	B	with internal tothing	stainless steel	12	12	4,2	-	3H8	M3	23	13,5	38
07820-123346	B	with internal tothing	stainless steel	18	18	6,2	-	5H8	M5	33	19,5	46
07820-132338	C	with internal tothing	stainless steel	12	12	-	M4	3H8	M3	23	13,5	38
07820-133346	C	with internal tothing	stainless steel	18	18	-	M6	5H8	M5	33	19,5	46
07820-142338	D	with internal tothing	stainless steel	12	12	4,2	-	3H8	M3	23	13,5	38
07820-143346	D	with internal tothing	stainless steel	18	18	6,2	-	5H8	M5	33	19,5	46
07820-152338	E	with external tothing	stainless steel	12	12	-	M4	3H8	3,2	23	9,5	38
07820-153346	E	with external tothing	stainless steel	18	18	-	M6	5H8	5,3	33	13	46
07820-162338	F	with external tothing	stainless steel	12	12	4,2	-	3H8	3,2	23	9,5	38
07820-163346	F	with external tothing	stainless steel	18	18	6,2	-	5H8	5,3	33	13	46
07820-172338	G	with external tothing	stainless steel	12	12	-	M4	3H8	M3	23	9,5	38
07820-173346	G	with external tothing	stainless steel	18	18	-	M6	5H8	M5	33	13	46
07820-182338	H	with external tothing	stainless steel	12	12	4,2	-	3H8	M3	23	9,5	38

Overview of items

Order No.	Form	Version 1	Main material	B2	B3	drill Ø D1	D1	D2	D3	D4	H	No. of teeth
07820-183346	H	with external toothing	stainless steel	18	18	6,2	-	5H8	M5	33	13	46