

Item description/product images



Description

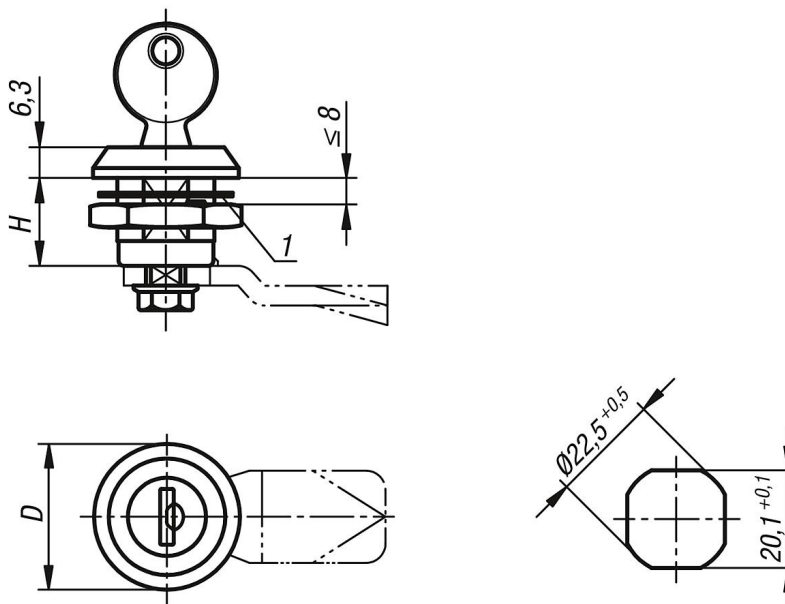
**Material:**  
Stainless steel 1.4401.

**Version:**  
Bright.

**Note:**  
The quarter turn lock can be installed pre-assembled. Housing with fastening nut and plate cylinder, same key locking, incl. 2 keys (lock type 1333).

**Drawing reference:**  
1) flat seal

Drawings



Overview of items

Order No.	Actuation	D	H
05566-06-18	key single-key system	30	18