

## Item description/product images



## Description

**Material:**

Steel.

**Version:**

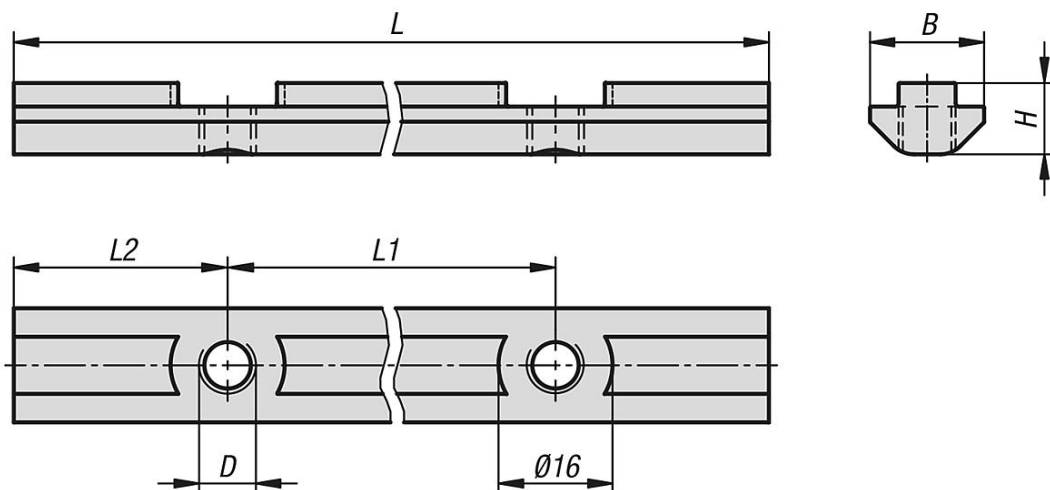
Coated.

**Note:**

The slot profile has tapped holes pitched at 40 mm and 60 mm.

The profiles are particularly suitable for maintaining a constant centre distance of the bearing flanges 10400 for transport rollers.

## Drawings



## Overview of items

Order No.	Slot width	B	D	H	L	L1	L2	No. of holes
07076-084008X1000	8	16	M8	9,5	1000	40	20	25
07076-086008X1000	8	16	M8	9,5	1000	60	30	17