

Item description/product images

**Description****Material:**

Aluminium 6060 T5.
Sleeve POM.
Set screw stainless steel.
Washers PA.
Fastening screws steel.

Version:

Black anodised.
Fastening screws electro zinc-plated.

Note:

These torque hinges enable doors to remain open in any position. A set screw enables the amount of friction to be infinitely adjusted between 0-5 Nm.
Opening angle 225°.

Max. tensile strength: 6000 N

Max. shear strength: 5000 N

The loading values given for the hinges are non-binding reference values without consideration of safety factors and exclude any liability. The values given are for information purposes only and do not constitute a legally binding assurance of properties.

These load values were determined under laboratory conditions. Each user must determine individually whether the hinge is suitable for the respective application. Different materials onto which the hinges are installed and the type of mounting, weather conditions and wear can influence the determined values.

Temperature range:

From -20°C to +80°C

Accessory:

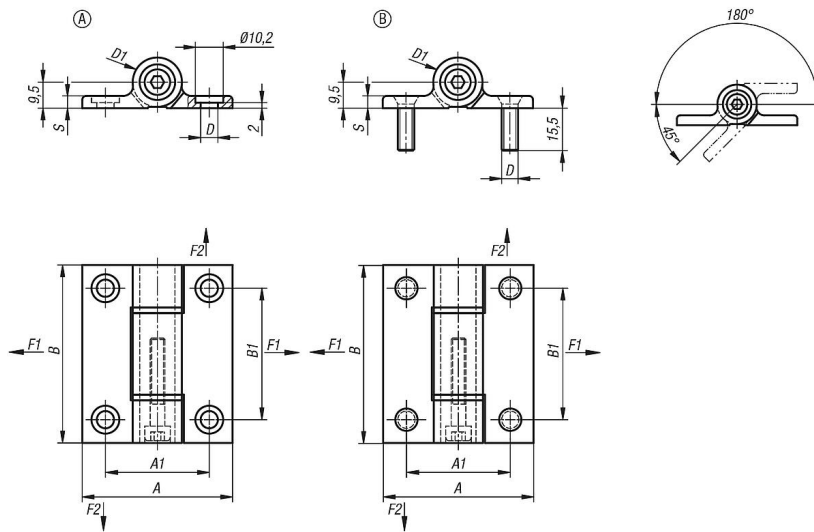
Socket head screws with hexagon socket DIN 912/EN ISO 4762.

Drawing reference:

Form A: fastened using DIN 912/EN ISO 4762 socket head screws.

Form B: fastened using threaded pins.

Drawings



Overview of items

Order No.	Form	A	A1	B	B1	D	D1	S	F1 N	F2 N
27860-55651	A	55	38	65	48	6,3	18	4,5	8960	8070
27860-556511	B	55	38	65	48	M6	18	4,5	8960	8070