

Item description/product images



Description

Material:

Form A and Form B die-cast zinc.
Form S steel.

Version:

Form A and Form B electro zinc-plated.
Form S nickel-plated.

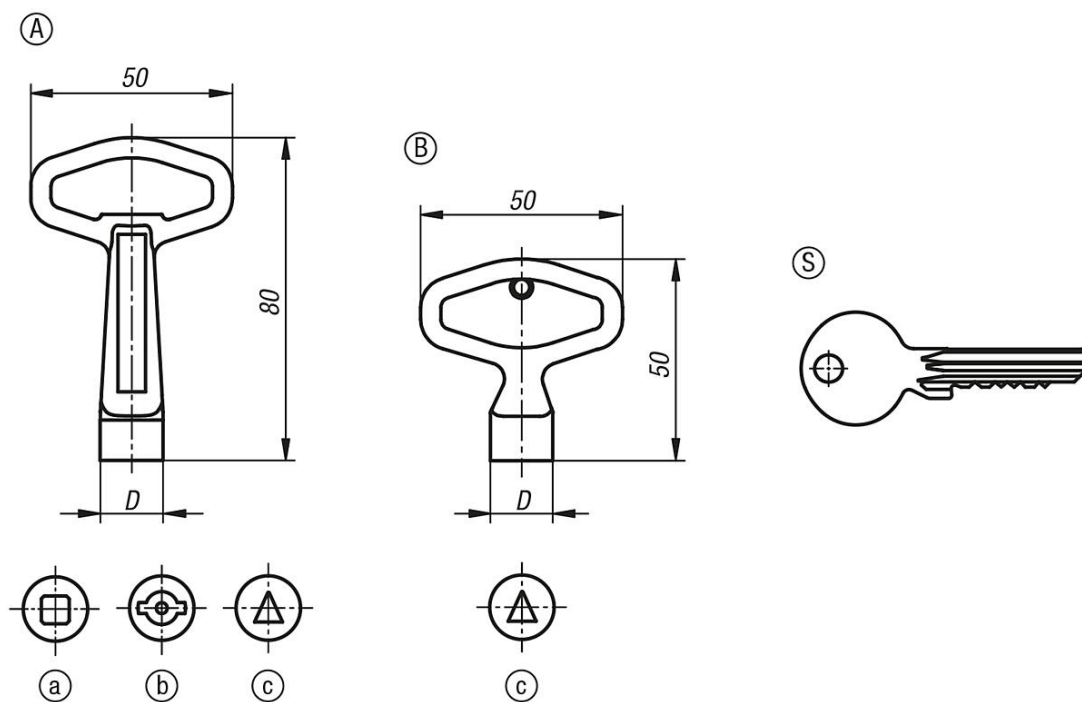
Note:

Keys for actuating quarter-turn locks.
Form S are supplied in pairs.

Drawing reference:

- a) square
- b) double lug
- c) triangle

Drawings



Overview of items

| Order No. | Form | Version 1 | D |
|------------|------|-----------------|------|
| 05586-16 | A | square 6 mm | 11,6 |
| 05586-17 | A | square 7 mm | 15,5 |
| 05586-18 | A | square 8 mm | 15,5 |
| 05586-88 | A | triangle 8 mm | 15,5 |
| 05586-43 | A | double lug 3 mm | 15,5 |
| 05586-45 | A | double lug 5 mm | 15,5 |
| 05586-865 | B | triangle 6.5 mm | 11,6 |
| 05586-2233 | S | lock 2233 | - |
| 05586-1333 | S | lock 1333 | - |
| 05586-101 | S | lock 101 | - |

