

## Item description/product images



## Description

**Material:**

Housing, actuator and nut die-cast zinc.  
O-ring NBR, flat seal CR.  
Tongue steel.

**Version:**

Housing and actuator, black, powder-coated.  
Nut and tongue, electro zinc-plated.

**Note:**

Right or left mounting with 90° closing. The quarter-turn lock can be installed pre-assembled (limitations by a small A-dimension and thick doors). The fastening nut has claws allowing it to be used as an earthing nut.

Water and dust proof as per IP65 through the O-ring and flat seal.

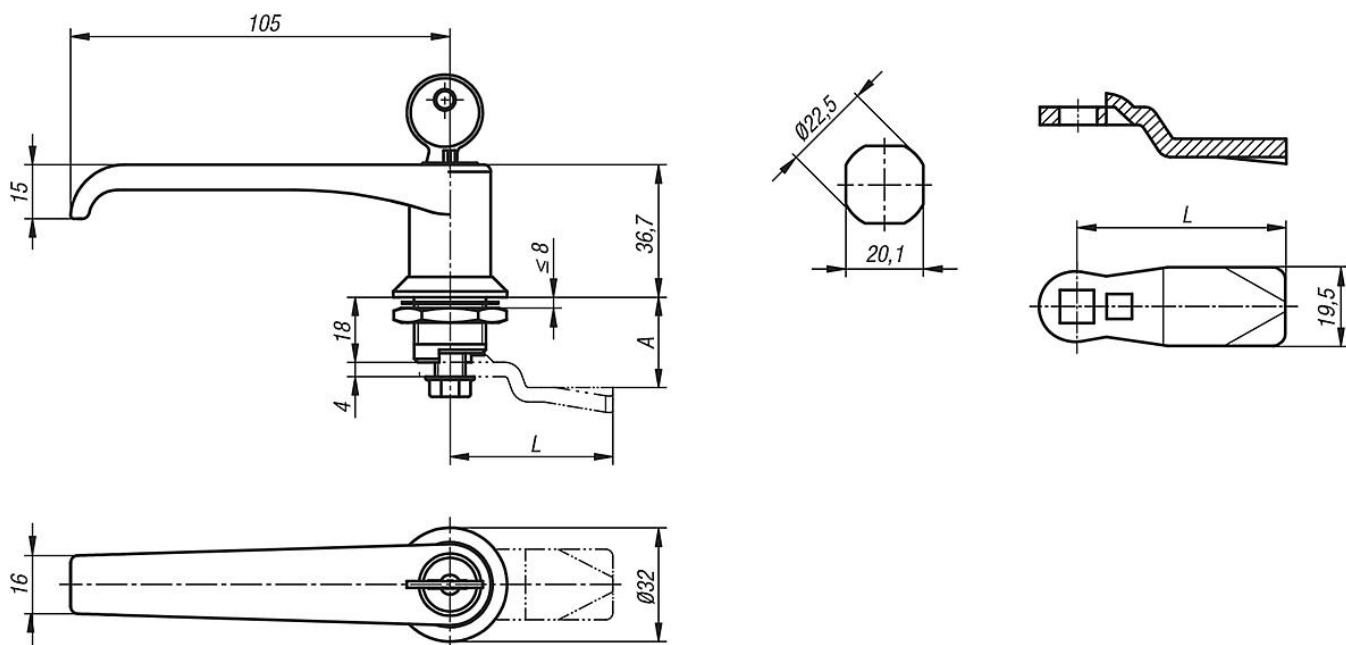
The lockable quarter-turn locks are supplied with 2 keys. The key can be removed in both positions (open and closed). The cylinder locks have a single-key system, i.e. the same key works in all locks (lock type 101 or 1333).

Order required tongue version separately. Every tongue can be combined with every housing.

**Accessory:**

Lock key 05586

## Drawings



## Overview of items

## Quarter-turn locks with L-grip

## Overview of items

Order No.	Actuation	Version
05573-1182	L-grip	-
05573-2182	lockable L-grip	lock 101
05573-3182	lockable L-grip	lock 1333

## Tongue for quarter-turn lock

Order No.	A for housing length H=18	L
05569-135X160	16	35
05569-135X180	18	35
05569-135X200	20	35
05569-135X220	22	35
05569-135X240	24	35
05569-145X040	4	45
05569-145X060	6	45
05569-145X080	8	45
05569-145X100	10	45
05569-145X120	12	45
05569-145X140	14	45
05569-145X160	16	45
05569-145X180	18	45
05569-145X200	20	45
05569-145X220	22	45
05569-145X240	24	45
05569-145X260	26	45
05569-145X280	28	45
05569-145X300	30	45
05569-145X320	32	45
05569-145X340	34	45
05569-145X360	36	45
05569-145X380	38	45
05569-145X400	40	45
05569-145X420	42	45