

## Item description/product images



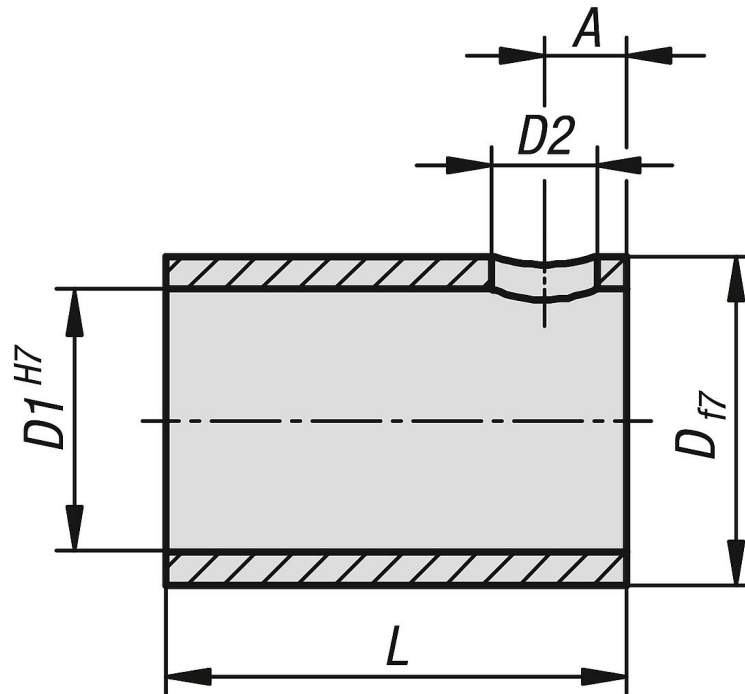
## Description

**Material:**  
Stainless steel

**Version:**  
Bright.

**Note:**  
Reducer sleeves are used to change the diameter between the hollow shaft sensor and adjustment spindle.

## Drawings



## Overview of items

Order No.	A	D	D1	D2	L
21740-112012	3	20	12	3,6	20
21740-112014	3	20	14	3,6	20
21740-112016	3	20	16	3,6	20
21740-112018	3	20	18	3,6	20