

Item description/product images



Description

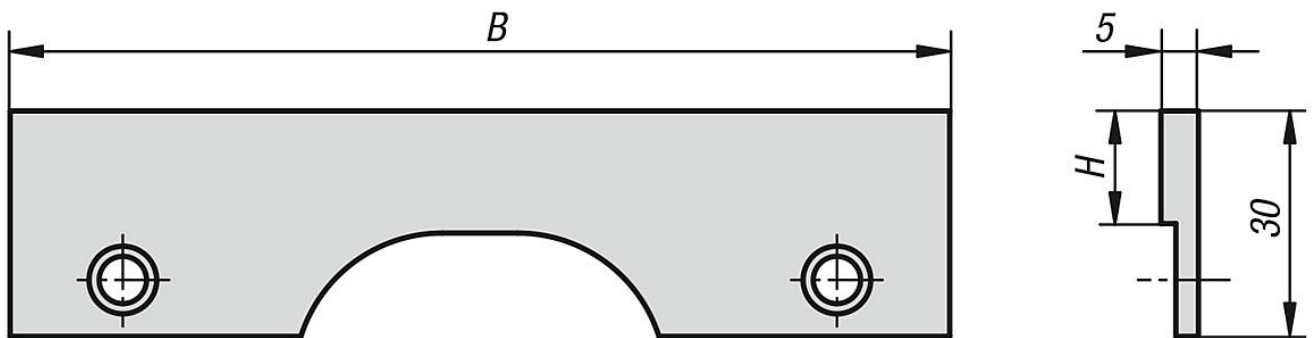
Material:
Steel.

Version:
Bright.

Note:
Screw-on seating ledges are used to set the seating height of the workpiece. The desired seating height is achieved by milling over the screwed on ledges. A very high accuracy of the height to the machine table can be achieved.

Supplied in pairs.

Drawings



Overview of items

Order No.	B	H
41345-0900515	90	15
41345-1250515	125	15