

Item description/product images

**Description****Material:**

Thermoplastic.
DIN 7984 screws and DIN 985 nuts steel.

Version:

Black.
Screws and nuts electro zinc-plated.

Note:

The standard size for round tubes is $\varnothing 18$ mm or $\varnothing 30$ mm. Use reducer sleeves 29042 if smaller tubes are to be clamped or a conversion from round to square tubes is required.

On request:

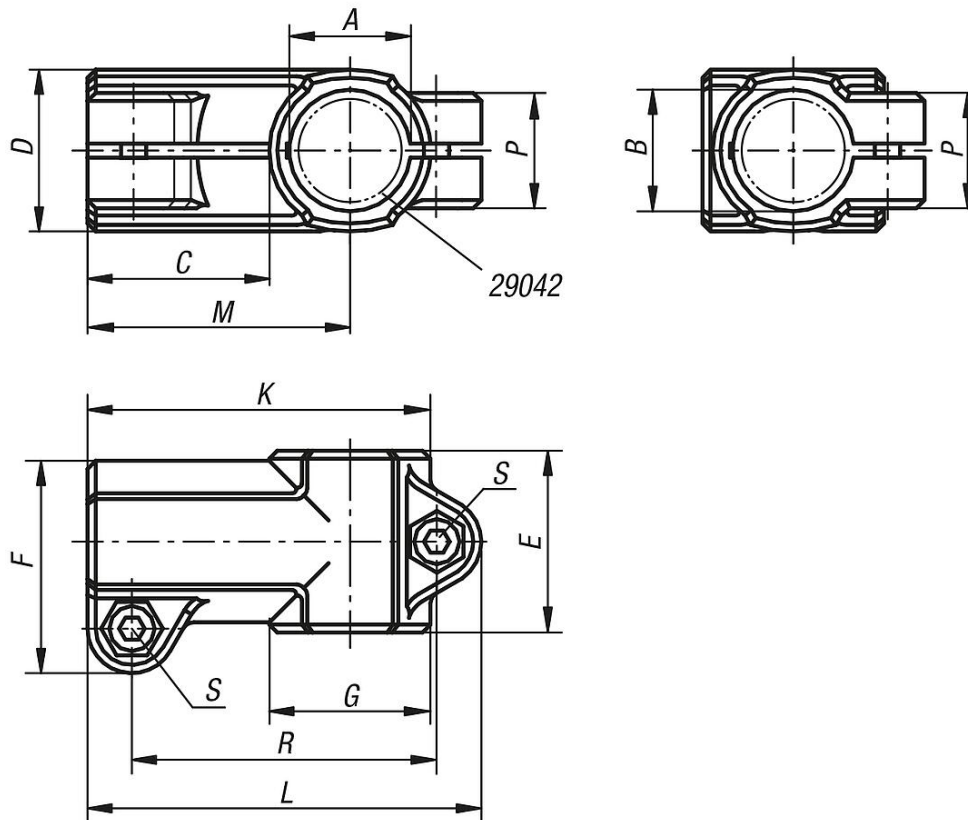
Plastic clamping levers for tightening.

Accessory:

- Reducer sleeves 29042
- Round and square tubes 29050



Drawings



Overview of items

Order No.	A	B	C	D	E	F	G	K	L	M	P	R	S
29006-1818	18	18	30,5	25	30	34	25	55,5	64,5	43	21	49,5	M6x18
29006-3030	30	30	45	40	45	52,5	40	85	97,5	65	28,5	75,5	M8x25