

## Item description/product images



## Description

**Product description:**

The end washers are designed for round pull handles. The washer enlarges the screw-on surface, thus minimising the risk of breaking through with thin-walled sheets.

**Material:**

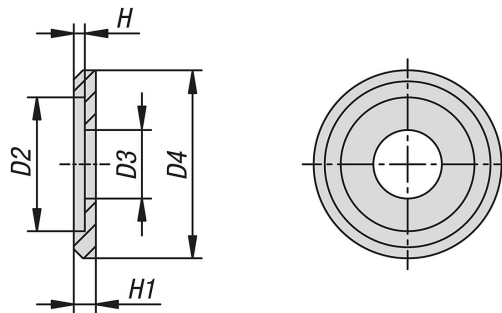
1.4404 or 1.4305 stainless steel.

**Version:**

1.4404 polished or abrasive blasted.

1.4305 bright.

## Drawings



## Overview of items

Order No.	Steel code	Surface finish body	D2	D3	D4	H	H1	for screws
06922-11-0321	1.4404	smooth polished	5,1	3,2	8	1	2	M3
06922-11-0421	1.4404	smooth polished	8,1	4,2	12,5	1	2	M4
06922-11-0521	1.4404	smooth polished	10,1	5,2	15	1	2	M5
06922-11-0621	1.4404	smooth polished	12,1	6,2	17	1	2	M6
06922-11-0322	1.4404	matt blasted	5,1	3,2	8	1	2	M3
06922-11-0422	1.4404	matt blasted	8,1	4,2	12,5	1	2	M4
06922-11-0522	1.4404	matt blasted	10,1	5,2	15	1	2	M5
06922-11-0622	1.4404	matt blasted	12,1	6,2	17	1	2	M6
06922-11-0310	1.4305	bright	5,1	3,2	8	1	2	M3
06922-11-0410	1.4305	bright	8,1	4,2	12,5	1	2	M4
06922-11-0510	1.4305	bright	10,1	5,2	15	1	2	M5
06922-11-0610	1.4305	bright	12,1	6,2	17	1	2	M6