

Item description/product images



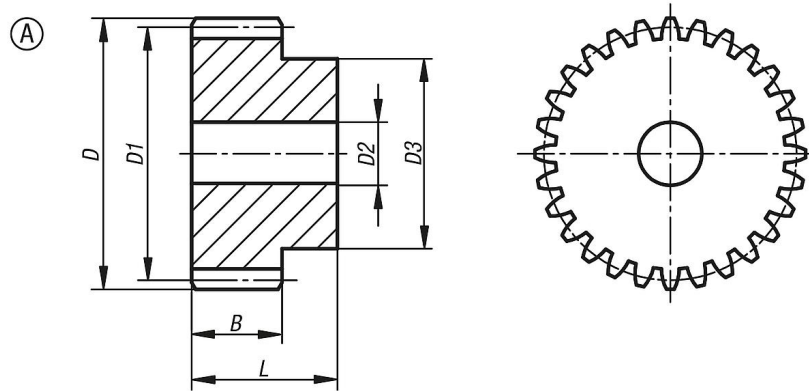
Description

Material:
Steel 1.0503 (C45).

Version:
Milled tooting, straight teeth
Tooting inductively hardened to 50 +4 HRC.
engagement angle 20°, bright.

Note:
Hardening changes the tooting quality to ca. 10-11.
The spur gears have a centre or pilot hole.

Drawings



Overview of items

Order No.	Form	Form definition	Module	No. of teeth	B	D	D1	D2 max.	D3	L
22401-0130300012	A	with hub	3	12	30	42	36	12	27	50
22401-0130300015	A	with hub	3	15	30	51	45	12	35	50
22401-0130300018	A	with hub	3	18	30	60	54	14	45	50
22401-0130300020	A	with hub	3	20	30	66	60	14	45	50
22401-0130300024	A	with hub	3	24	30	78	72	16	50	50
22401-0130300025	A	with hub	3	25	30	81	75	16	60	50
22401-0130300030	A	with hub	3	30	30	96	90	16	60	50
22401-0130300036	A	with hub	3	36	30	114	108	20	70	50
22401-0130300040	A	with hub	3	40	30	126	120	20	80	50