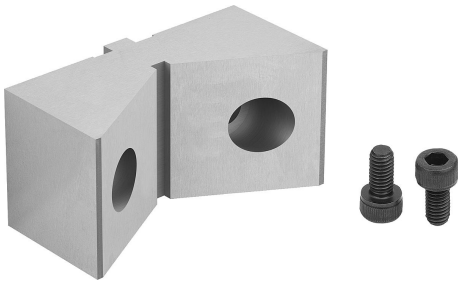


Item description/product images



Description

Material:

Tool steel.

Version:

Hardened and ground (HRC 55).

Note:

Attachment jaws with prism are used for clamping round workpieces. With the longitudinal slot on the back, they can be aligned exactly on the ES and DS fixed jaws.

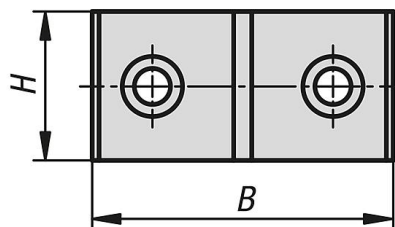
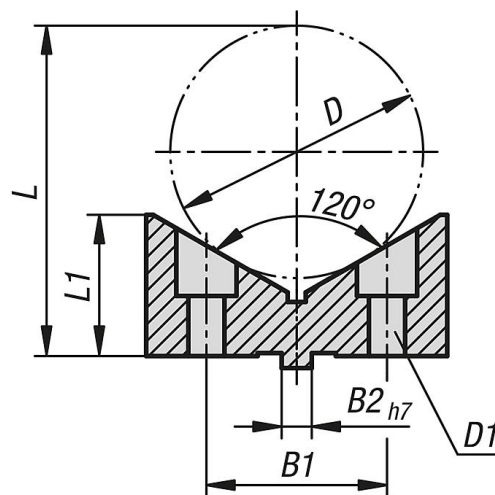
Application:

The attachment jaws with prism are screwed onto the ES and DS fixed stops.

Advantages:

The attachment jaws with prism ensure repeat accuracy when clamping workpieces.

Drawings



Overview of items

Order No.	suitable for system width	L	B	H	L1	B1	B2	D	max. clamping diameter	D1 for screw to DIN 912
41505-04-05070	50	54,98	50	25	23,5	30	5	42	70	M5

