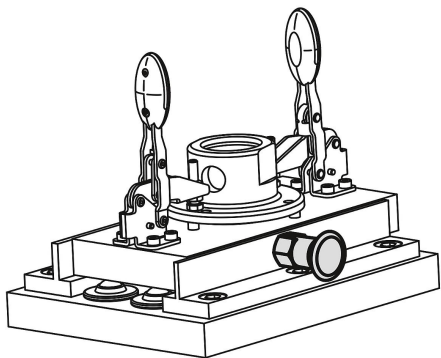


Item description/product images



Description

Material:

Indexing pin hardened:
Threaded sleeve 1.4305.
Indexing pin 1.4034.

Indexing pin not hardened:
Threaded sleeve 1.4305.
Indexing pin 1.4305.

Mushroom knob 1.4305, electropolished.

Version:

Bright.
Indexing pin ground.

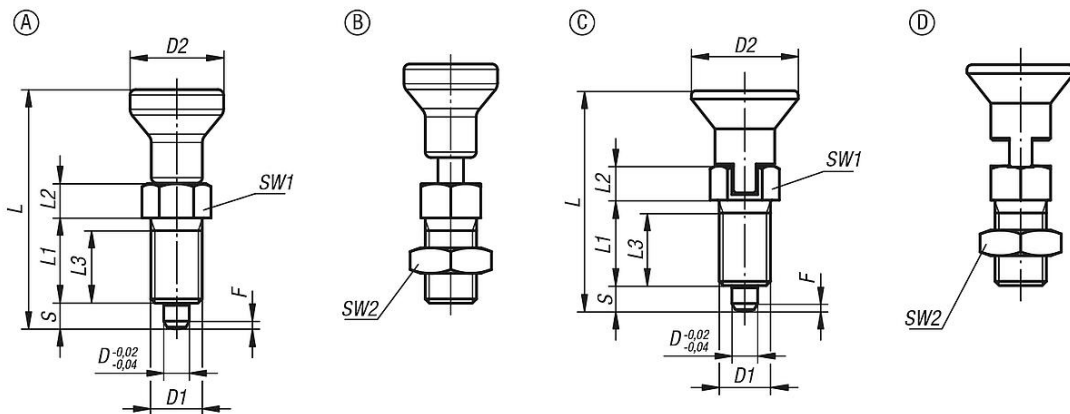
Note:

Indexing plungers are used to prevent any change in locking position due to lateral forces. A new locking position can only be set after the pin has been manually disengaged. Form C or D is recommended for applications in which the pin is disengaged over extended periods and should be prevented from springing back.

On request:

Special versions.

Drawings



Overview of items

Specifications

Order No.	Form	Main material	Surface finish body	D	D1	D2	L	L1	L2	L3	Travel S	SW1	SW2	Fx30°	Spring force initial pressure F1 approx. N	Spring force final pressure F2 approx. N
03089-001903AJ	A	stainless steel	hardened	3	1/4-28	14	34,5	12	5	10	3,5	8	-	0,8	4,5	10
03089-001004AK	A	stainless steel	hardened	4	5/16-24	18	43	15	6	13	4	10	-	1	6	12
03089-001105AL	A	stainless steel	hardened	5	3/8-24	21	50	17	7	15	5	13	-	1,3	4,5	12
03089-001206A5	A	stainless steel	hardened	6	1/2-13	25	59	20	8	17	6	14	-	1,8	6	14
03089-001308A6	A	stainless steel	hardened	8	5/8-11	33	77	26	10	23	8	19	-	2,3	15	35
03089-001410A7	A	stainless steel	hardened	10	3/4-10	33	83	28	12	25	10	22	-	2,6	15	34
03089-001412A0	A	stainless steel	hardened	12	3/4-16	33	87	28	14	25	12	22	-	2,8	15	39
03089-001516A8	A	stainless steel	hardened	16	1-8	40	106	32	18	28	16	27	-	3,2	20	46
03089-111903AJ	A	stainless steel	not hardened	3	1/4-28	14	34,5	12	5	10	3,5	8	-	0,8	4,5	10

Overview of items

Order No. Form A	Order No. Form B	Order No. Form C	Order No. Form D	D1	L	SW2	Fx30°
03089-001206A5	03089-002206A5	03089-003206A5	-	1/2-13	59/59/52	-13/4 -	1,8
03089-001308A6	03089-002308A6	03089-003308A6	-	5/8-11	77/77/68	-115/16 -	2,3
03089-001410A7	03089-002410A7	03089-003410A7	-	3/4-10	83/83/74	-11-1/8 -	2,6
03089-001412A0	03089-002412A0	03089-003412A0	-	3/4-16	87/87/78	-11-1/8 -	2,8
03089-001516A8	03089-002516A8	03089-003516A8	-	1-8	106/106/96	-11-1/2 -	3,2
-	-	-	03089-004004AK	5/16-24	38,5	1/2	1
-	-	-	03089-004206A5	1/2-13	52	3/4	1,8
-	-	-	03089-004308A6	5/8-11	68	15/16	2,3
-	-	-	03089-004410A7	3/4-10	74	1-1/8	2,6
-	-	-	03089-004412A0	3/4-16	78	1-1/8	2,8
-	-	-	03089-004516A8	1-8	96	1-1/2	3,2

Indexing Plungers, pull knob, stainless steel, locking pin not hardened, inch

Order No. Form A	Order No. Form B	Order No. Form C	Order No. Form D	D1	L	SW2	Fx30°
03089-111903AJ	03089-112903AJ	03089-113903AJ	03089-114903AJ	1/4-28	34,5/34,5/31,5/31,5	-17/16 -17/16	0,8
03089-111004AK	03089-112004AK	03089-113004AK	-	5/16-24	43/43/38,5	-11/2 -	1
03089-111105AL	03089-112105AL	03089-113105AL	03089-114105AL	3/8-24	50/50/43,5/43,5	-19/16 -19/16	1,3
03089-111206A5	03089-112206A5	03089-113206A5	-	1/2-13	59/59/52	-13/4 -	1,8
03089-111308A6	03089-112308A6	03089-113308A6	-	5/8-11	77/77/68	-115/16 -	2,3
03089-111410A7	03089-112410A7	03089-113410A7	-	3/4-10	83/83/74	-11-1/8 -	2,6
03089-111412A0	03089-112412A0	03089-113412A0	-	3/4-16	87/87/78	-11-1/8 -	2,8
03089-111516A8	03089-112516A8	03089-113516A8	-	1-8	106/106/96	-11-1/2 -	3,2
-	-	-	03089-114004AK	5/16-24	38,5	1/2	1
-	-	-	03089-114206A5	1/2-13	52	3/4	1,8
-	-	-	03089-114308A6	5/8-11	68	15/16	2,3
-	-	-	03089-114410A7	3/4-10	74	1-1/8	2,6
-	-	-	03089-114412A0	3/4-16	78	1-1/8	2,8
-	-	-	03089-114516A8	1-8	96	1-1/2	3,2