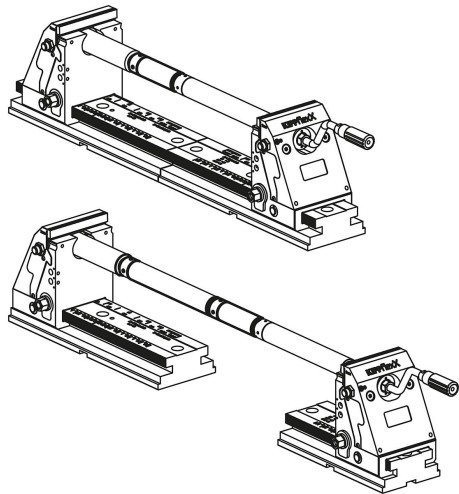
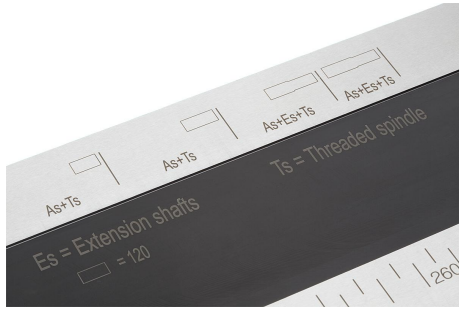


## Item description/product images



## Description

**Product description:**

The baseplates offer versatile connection options. The locating slots on the underside can be used to perform alignment directly on the machine table using slot keys. Fastening in 12F7 grid holes with grid spacing of 50 mm is also possible. Claw clamps or separate clamping devices can be located on the side recess. The baseplate is also suitable for all standard zero-point clamping systems with a centre distance of 52/96/200 mm.

The integrated central hole can also be used for alignment. In this case, a specific centre pin is used to perform central alignment on the machine table.

**Material:**

Steel.

**Version:**

Hardened and black oxidised.  
Contact faces ground.

**Note:**

Additional product information can be found in the operating instructions.

**On request:**

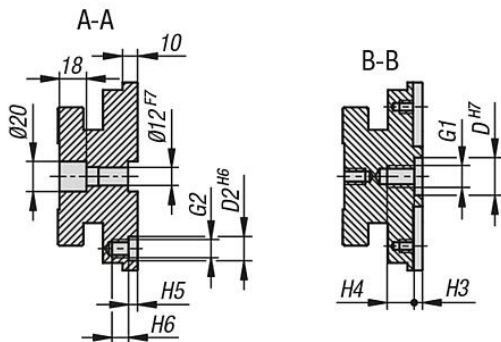
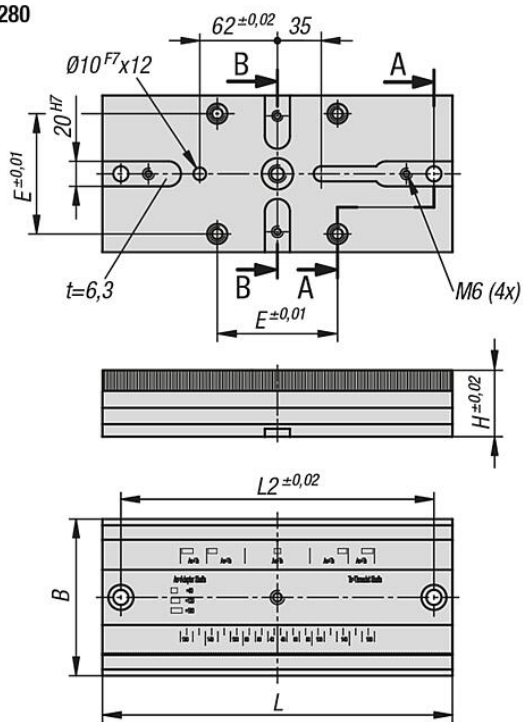
other dimensions.

**Applications:**

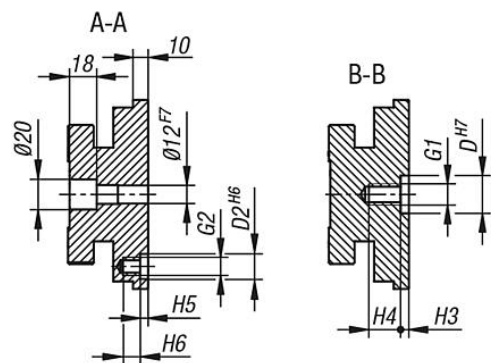
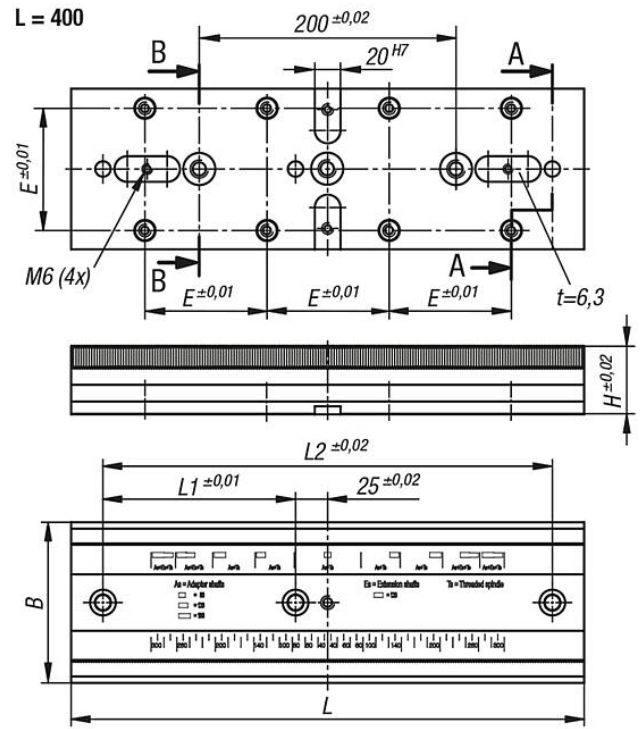
Suitable for T-slot tables, basic elements with grid holes and zero-point clamping systems.

Drawings

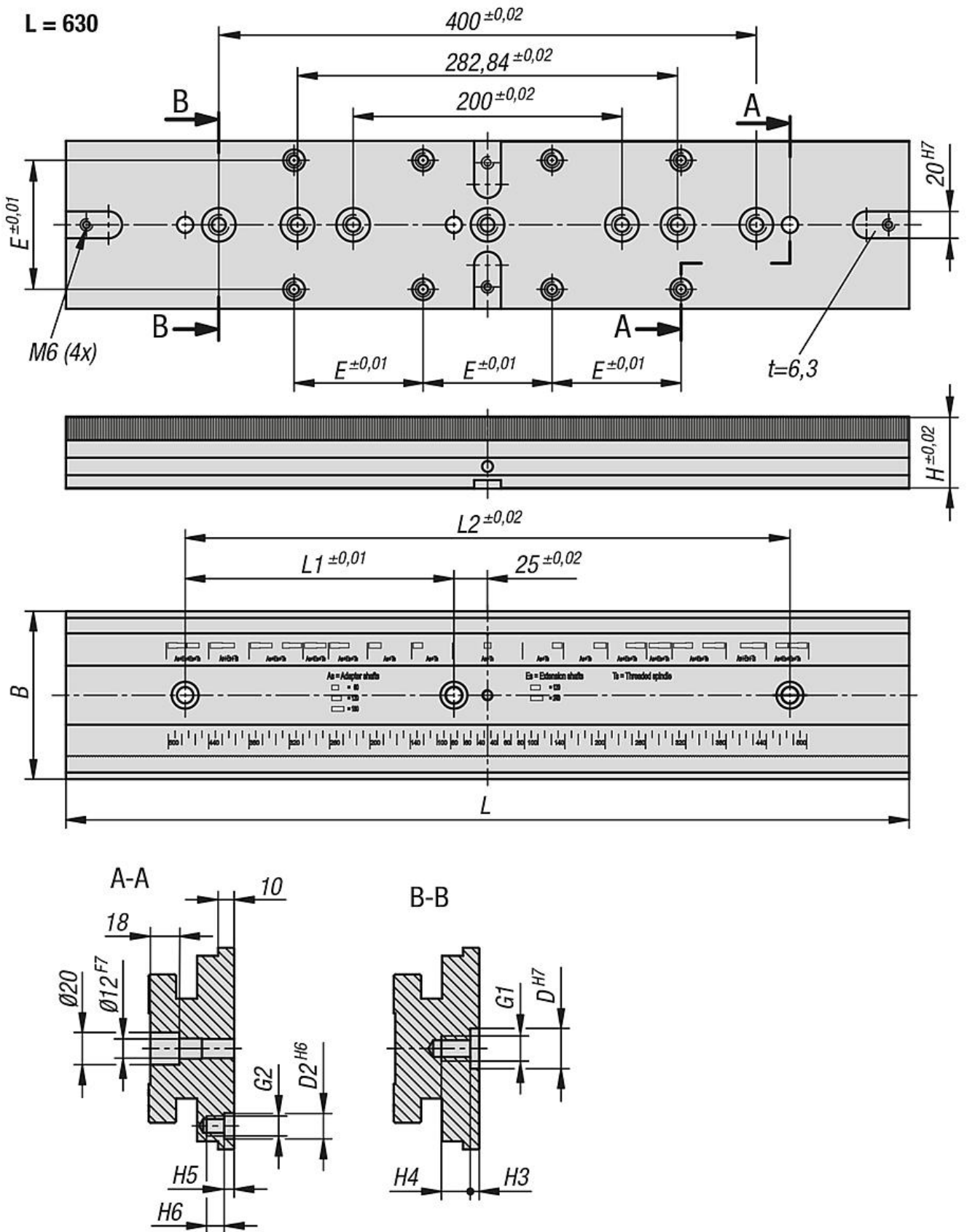
L = 280



L = 400



Drawings



## Overview of items

Order No.	B	H	L	L1	L2	H3	H4	H5	H6	D	D2	E	G1	G2
41405-090280	90	53	280	-	250	5,5	18	6	11	25H7	12H6	52	M12	M8
41405-090400	90	53	400	150	350	5,5	18	6	11	25H7	12H6	52	M12	M8
41405-125280	125	53	280	-	250	5,5	18	6	11	25H7	16H6	96	M12	M10
41405-125400	125	53	400	150	350	5,5	18	6	11	25H7	16H6	96	M12	M10
41405-125630	125	53	630	200	450	5,5	18	6	11	25H7	16H6	96	M12	M10