

Item description/product images



Description

Material:

Steel.

Version:

Electro zinc-plated.

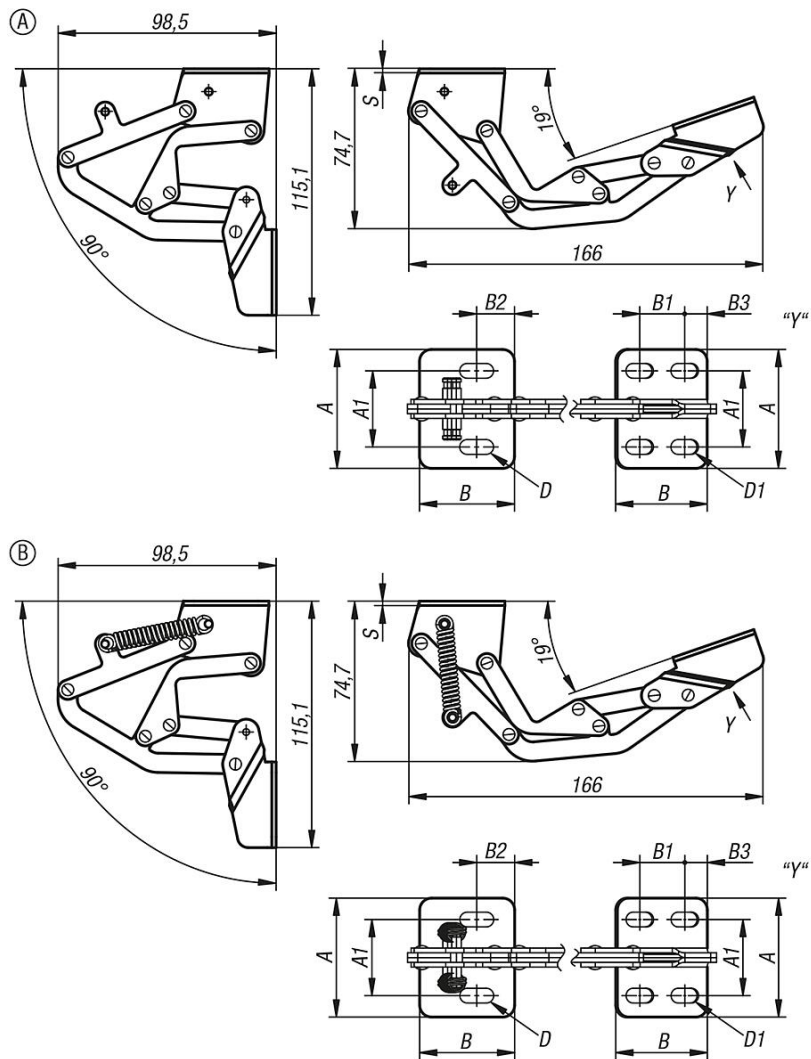
Note:

The hinges are suitable exclusively for horizontal applications.

The version with spring achieves a torque of 1.0 Nm when opening and a torque of 3.0 Nm when closing.

Opening angle 110°.

Drawings



Overview of items

Order No.	Form	Product type	A	A1	B	B1	B2	B3	D	D1	S
27879-10-50400	A	in-frame hinge	50	32	40	20	16	10	6,2x14,2	6,2x12,2	2
27879-10-50401	B	hinges, in-frame with spring	50	32	40	20	16	10	6,2x14,2	6,2x12,2	2