

Item description/product images



Description

Material:

Housing and actuator die-cast zinc.
 Nut brass.
 Tongue steel.
 Key nickel silver.

Version:

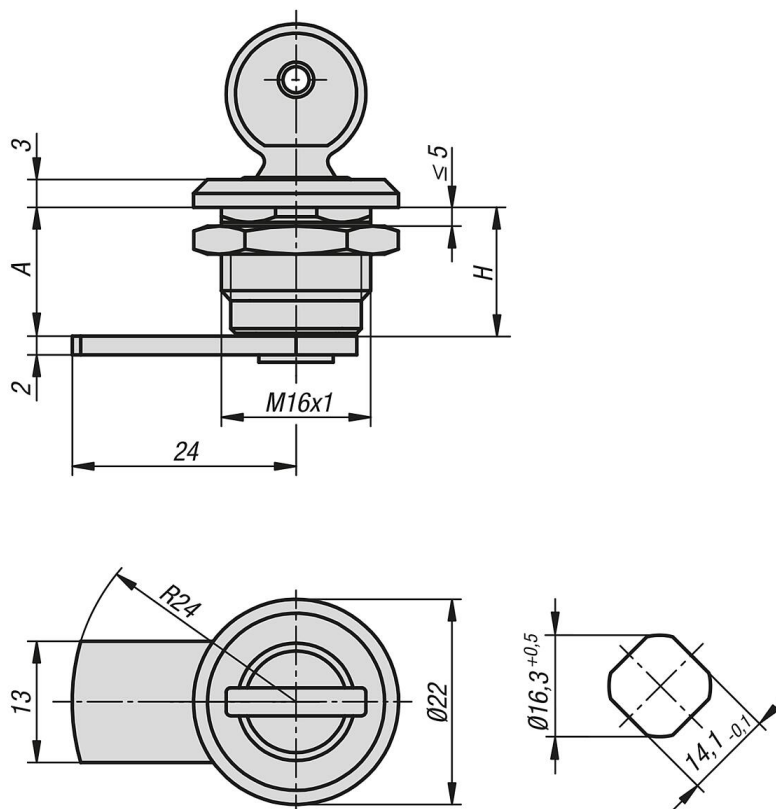
Housing and actuator trivalent passivated.
 Nut and tongue electro zinc-plated.

Note:

Lockable quarter-turn lock, right or left mounting with 90° closing. The quarter-turn lock can be installed pre-assembled.

These lockable quarter-turn locks are supplied with 2 keys. The key can be removed in both positions (open and closed). The cylinder locks have a single-key system i.e. the same key works in all locks (lock type 2233).

Drawings



Overview of items

Quarter-turn locks compact lockable

Order No.	Actuation	A	H
05564-1075	key	7,5	13,5

Overview of items

Order No.	Actuation	A	H
05564-1135	key	13,5	13,5
05564-1195	key	19,5	13,5