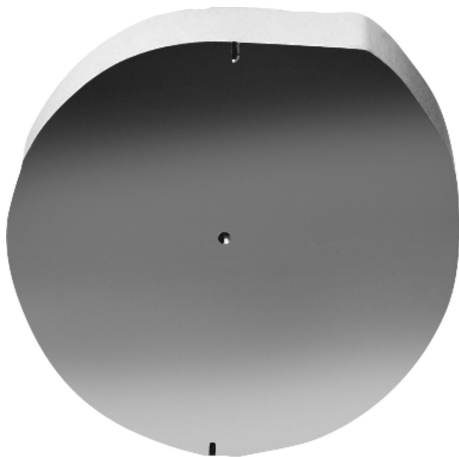


Item description/product images



Description

Material:

Profile steel 1.7131.

Version:

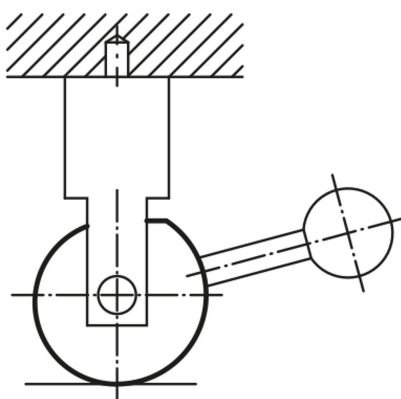
Saw cut and deburred.

Centre is centre-punched.

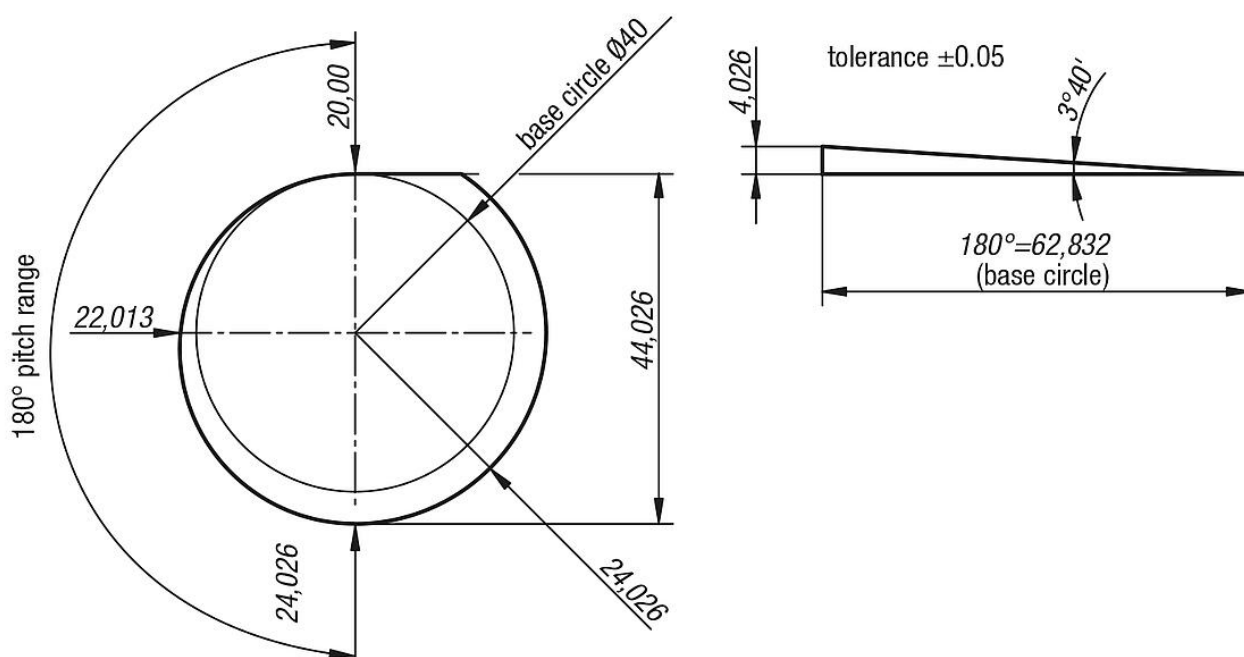
Start and end of spiral is marked.

Note:

Spiral cams are used where something must be self-locking clamped or secured. The cam is operated mechanically, pneumatically or hydraulically using a shaft through the centre or a lever fastened to the side. By pressure failure the self-locking effect is still operative leading to much higher operating safety by pneumatic and hydraulic clamping.



Drawings



Overview of items

| Order No. | base circle \emptyset | disc thickness |
|-----------|-------------------------|----------------|
| 04360-14 | 40 | 14 |
| 04360-20 | 40 | 20 |