

Item description/product images



Description

Material:

- A: Chain brass or stainless steel.
- B: Chain brass or stainless steel, key ring stainless steel.
- C: Chain brass, ring 1.4310 stainless steel.

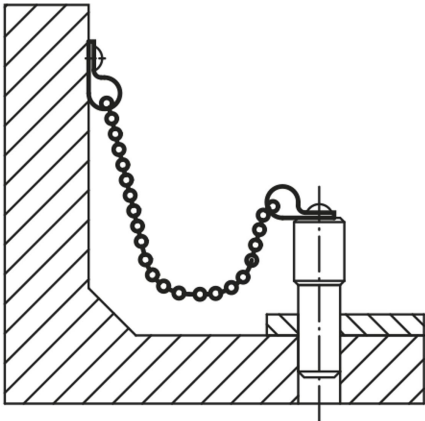
Note:

If no length is specified 1000 mm will be supplied.

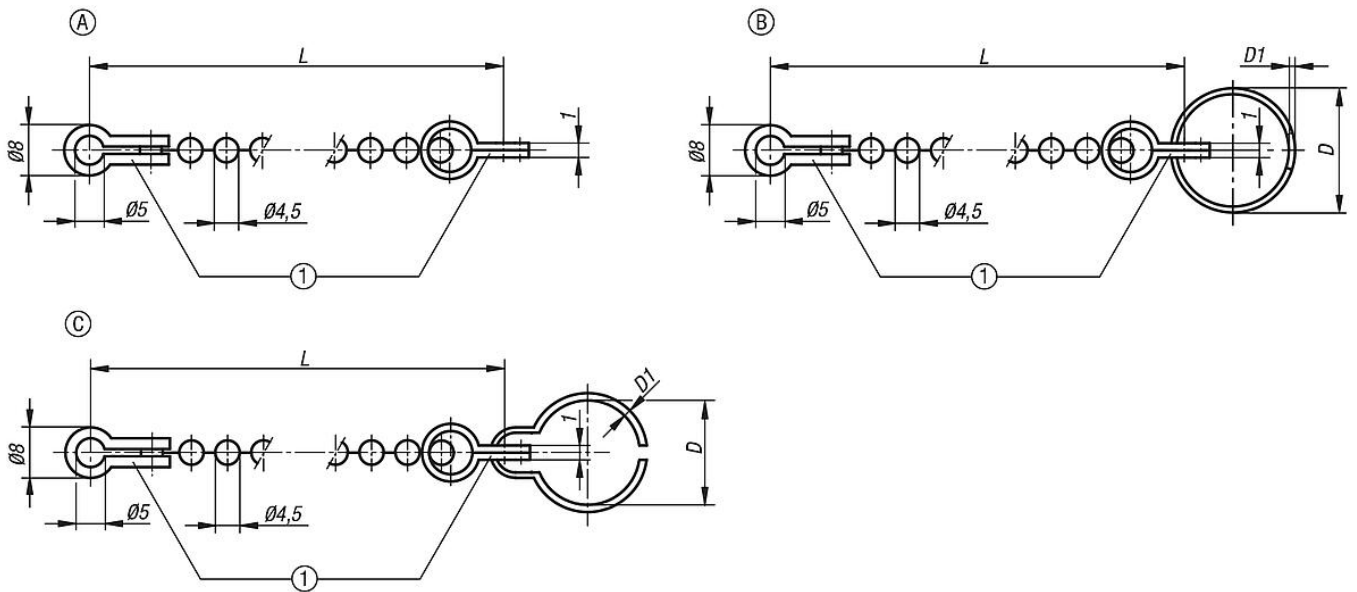
Drawing reference:

1) same parts

- Form A: ball chain, single
- Form B: ball chain with key ring
- Form C: ball chain with ring clip



Drawings



Overview of items

Form A, ball chains single

Order No. brass	Order No. stainless steel	Form	L
96390-00X	96390-01X	A	160/320/500/1000

Form B, ball chains with keyring

Overview of items

Order No. brass	Order No. stainless steel	Form	L	D	D1
96390-015X	96390-115X	B	160/320/500/1000	15	1
96390-019X	96390-119X	B	160/320/500/1000	19	1
96390-023X	96390-123X	B	160/320/500/1000	23	1,2
96390-028X	96390-128X	B	160/320/500/1000	28	1,7

Form C, ball chains with ring clip

Order No.	Form	Main material	L	D	D1
96390-09X	C	brass	160/320/500/1000	9	1
96390-12X	C	brass	160/320/500/1000	12	1,2
96390-14X	C	brass	160/320/500/1000	14	1,6
96390-16X	C	brass	160/320/500/1000	16	1,6
96390-20X	C	brass	160/320/500/1000	20	2
96390-24X	C	brass	160/320/500/1000	24	2
96390-30X	C	brass	160/320/500/1000	30	2,6
96390-36X	C	brass	160/320/500/1000	36	2,6