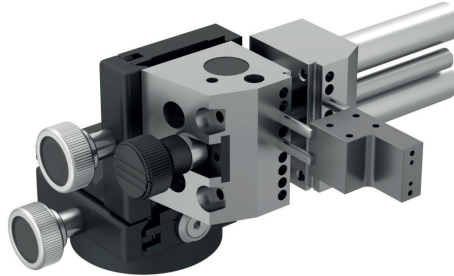


Quick change system

The quick-change system from norelem is a flexible solution for positioning and fixing small workpieces on measuring systems, microscopes, profile projectors, etc. It is ideal for clamping, measuring and machining small parts. Ideal for clamping, measuring and machining small parts. The system is used when a low clamping force but high precision is required.



Quick-clamping holder 33227-05 with aluminium angle elements 33227-10 and precision vice 33225

Properties:

- Quick-change system for zero-point clamping of fixtures
- Basic elements for adaptation to measuring machine or measuring table
- Mounting element for free positioning in 3D space
- Clamping elements of all categories in many variants and sizes
- Individual elements and entire fixtures can be changed very quickly
- Reference-accurate, form-fit fixing as the basis for zero-point clamping
- Highest quality for long service life

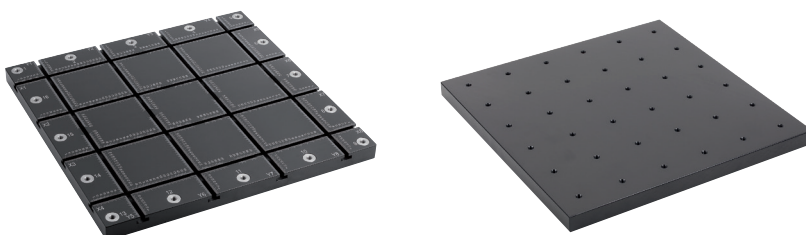
Advantages:

- Simple, fast, workpiece- and process-orientated positioning and clamping
- Quick changeover to new workpieces and processes
- Workpieces can be fixed outside of the machine at any time
- Fixtures can be dismantled an infinite number of times and completely reassembled or reassembled exactly the same way
- Instead of the classic, inflexible one-way fixture construction

Product overview:

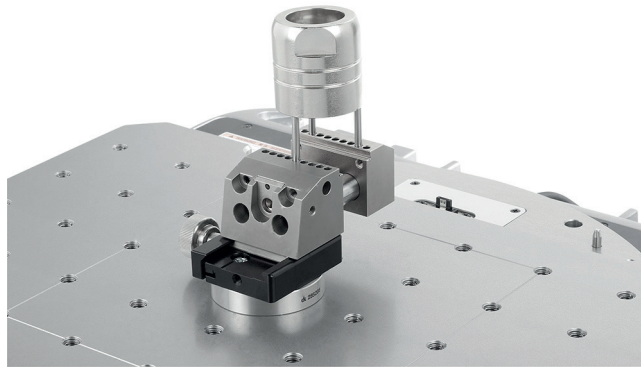
Base plates:

The base plates 01041 with T-slot and 01042 with M6 threaded holes or any machine tables or base plates can serve as the basis for a quick-change system from norelem.



Basic element:

The quick-release holders 33227-05, which can be mounted directly on a base plate or a machine table using a T-slot or a thread, serve as the basic element of the quick-change system. The quick-release holders serve as an interface between the machine table or base plates and the add-on elements.



Quick-clamping holder 33227-05 mounted on a base plate combined with a precision vice 33225

Construction elements:

The add-on elements from norelem serve as an interface between base elements and clamping elements. The add-on elements can be connected to both the base elements and the clamping elements without tools.

The norelem product portfolio includes the following structural elements:

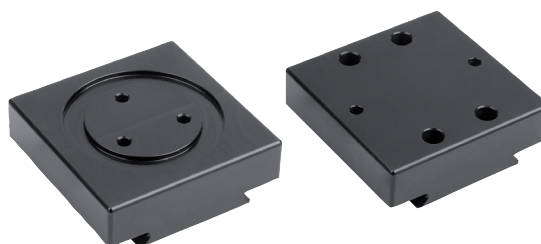
Adapter for precision vices aluminium 33225-20

Adapter suitable for the precision vices stainless steel, aluminium or brass, mini 33225-10 and precision vice 33225



Adapter for three-jaw chuck aluminium 33226-05

Adapter suitable for precision three-jaw chuck Manual chuck



Aluminium angle elements 33227-10

Can be connected directly to the quick-release bracket as well as to the adapters or fixing systems.



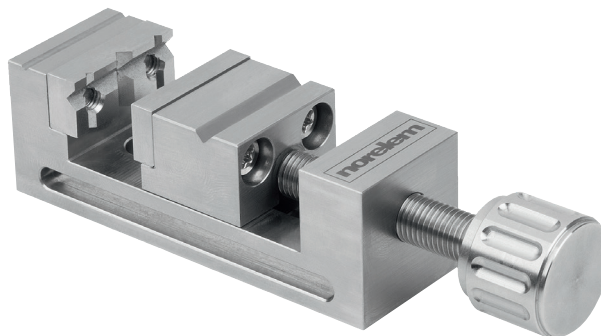
Clamping elements:

Clamping elements from norelem can be used for positioning and fixing small parts.

The norelem product portfolio includes the following clamping elements:

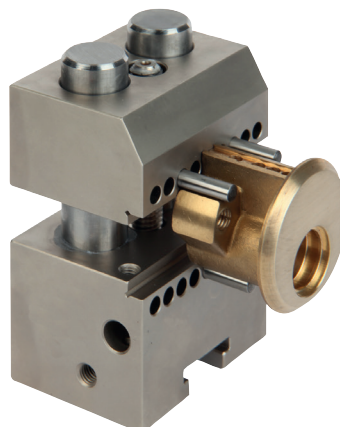
Precision vices stainless steel, aluminium or brass, mini 33225-10

The miniature precision vices are a flexible solution for positioning and fixing small workpieces on measuring systems, microscopes, profile projectors, etc. Ideal for clamping, measuring and machining small parts. Ideal for clamping, measuring and machining small parts.



Precision vice 33225

The precision vice is a flexible solution for positioning and fixing workpieces quickly and easily for measuring on measuring machines. Clamping is possible via the offset jaws or via the pins that can be inserted into the jaws. This means that workpieces with internal bores can also be clamped. The vice can be placed on the measuring table in 4 positions at right angles to each other.



Precision three-jaw chuck Manual chuck 33226

These jaw chucks are specially designed for applications requiring low clamping force but high precision. For internal and external clamping of round workpieces. The workpiece is clamped by simply turning the clamping ring by hand or using the clamping lever supplied. The hardened clamping jaws are stepped outwards and reversible. Each clamping jaw is labelled with two numbers for reversing. The number facing outwards on the clamping jaw must match the number on the base body.



Needle support 33227

No adapter is required for the needle rests; the needle rest can be installed directly with the base element. Ideal for clamping moulded parts. The spring-loaded needle plungers adapt to the shape of the workpiece when the workpiece is pressed in. They are fixed in place by clamping the needle plungers. Workpieces can thus be reproducibly positioned and fixed in the moulded workpiece holder.



Combination example:

Base plate: 01042-30030020
Base unit: 33227-05-106
Extension unit: 33227-10-1 and 33225-20-25
Clamping element: 33225-10-25231

